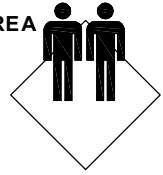


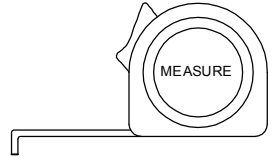
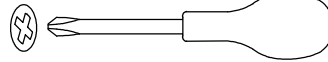
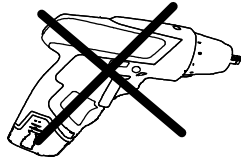
# Doll bed Lilly



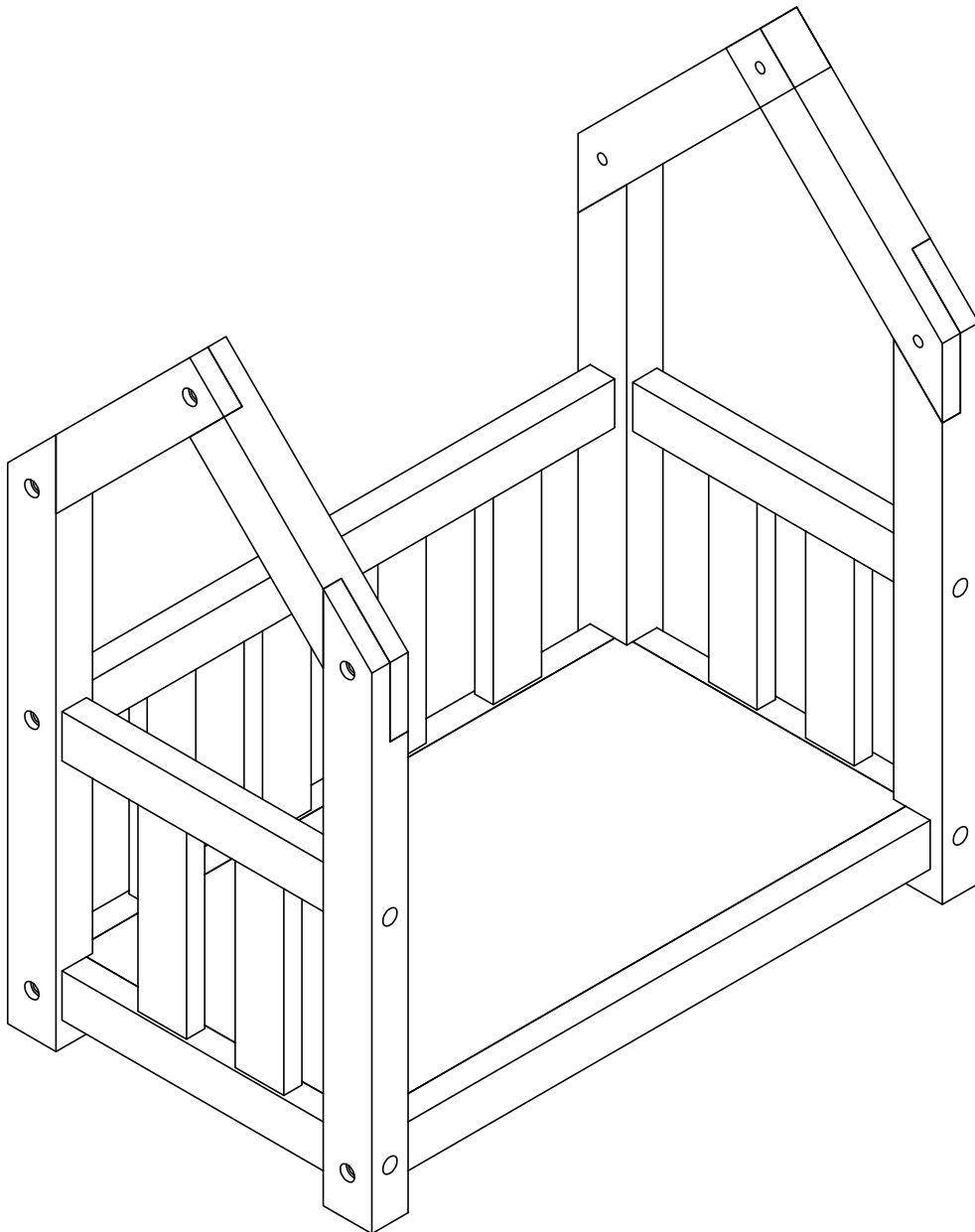
**FLOOR AREA**  
2.5M X 3M



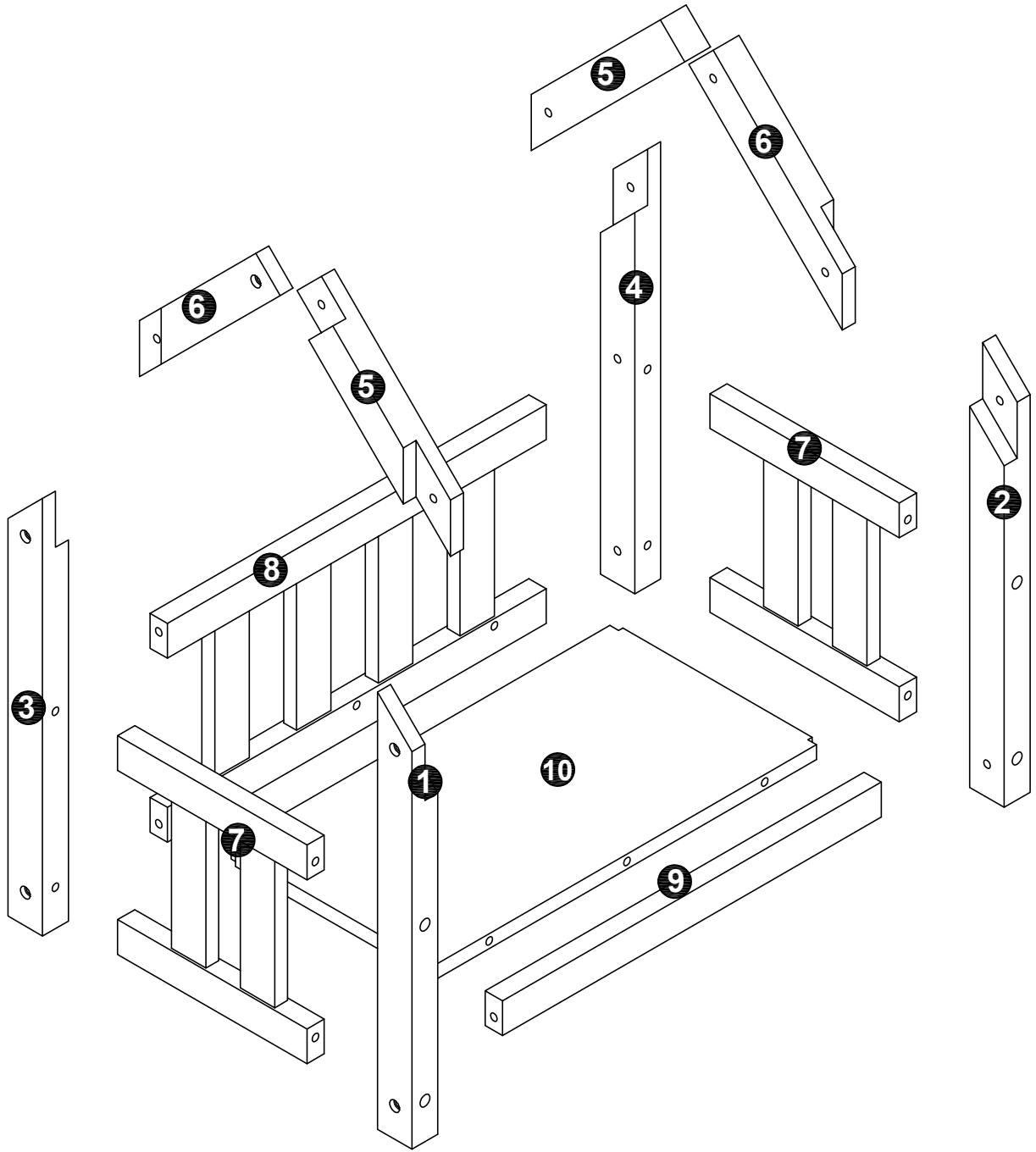
**REQUIRED ASSEMBLY TOOLS**



**ASSEMBLED DIMENSIONS**



# Doll bed Lilly

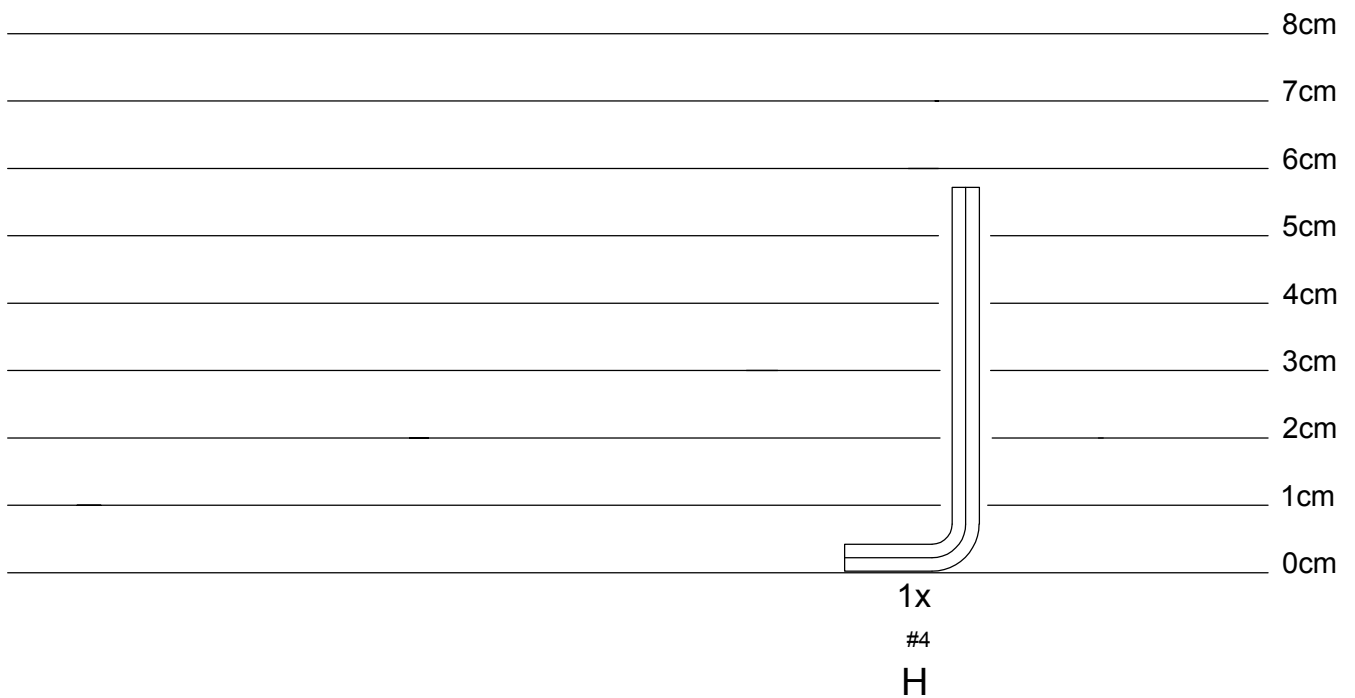
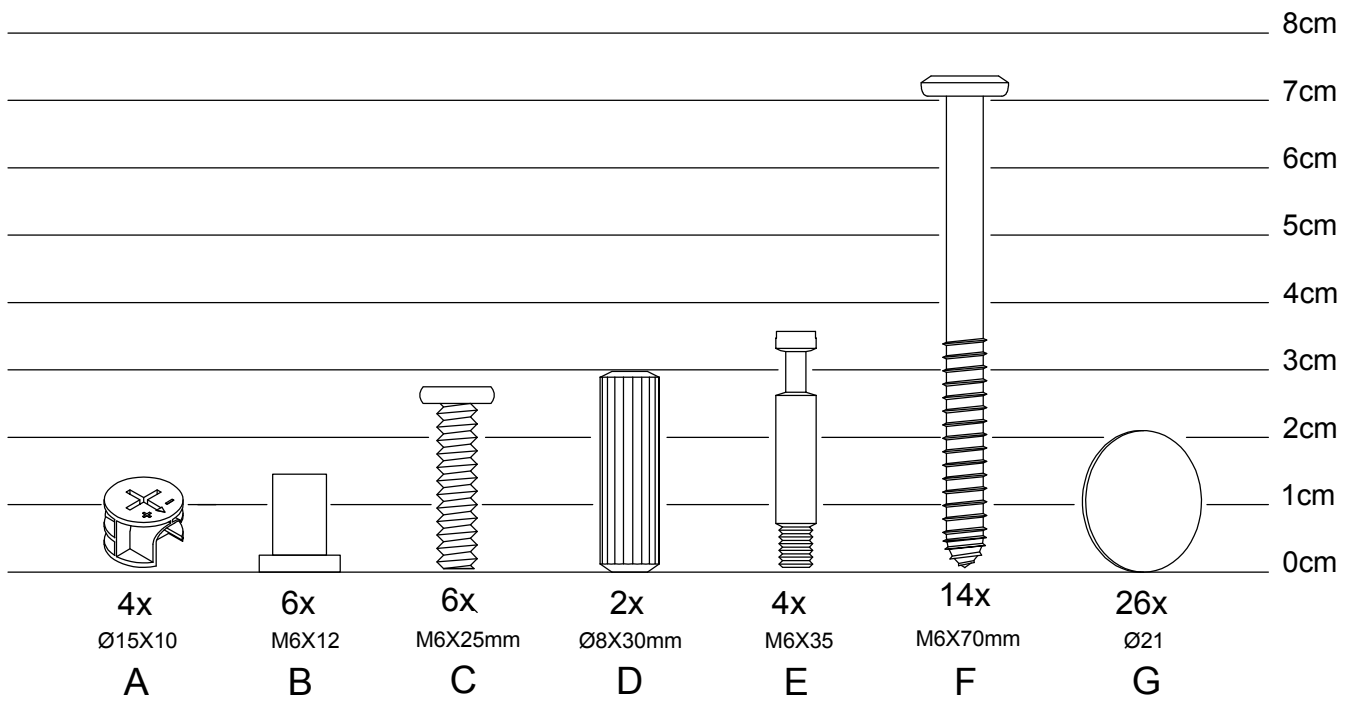


## Doll bed Lilly

<b>NO.</b>	<b>PARTS LIST</b>	<b>QTY</b>	<b>NO.</b>	<b>PARTS LIST</b>	<b>QTY</b>
①	Left front leg	1	⑥	Right hind/left front beam	2
②	Right front leg	1	⑦	Side guard rail	2
③	Left hind leg	1	⑧	Back guard rail	1
④	Right hind leg	1	⑨	Support beam	1
⑤	Left front/right hind beam	2	⑩	Bed floor	1

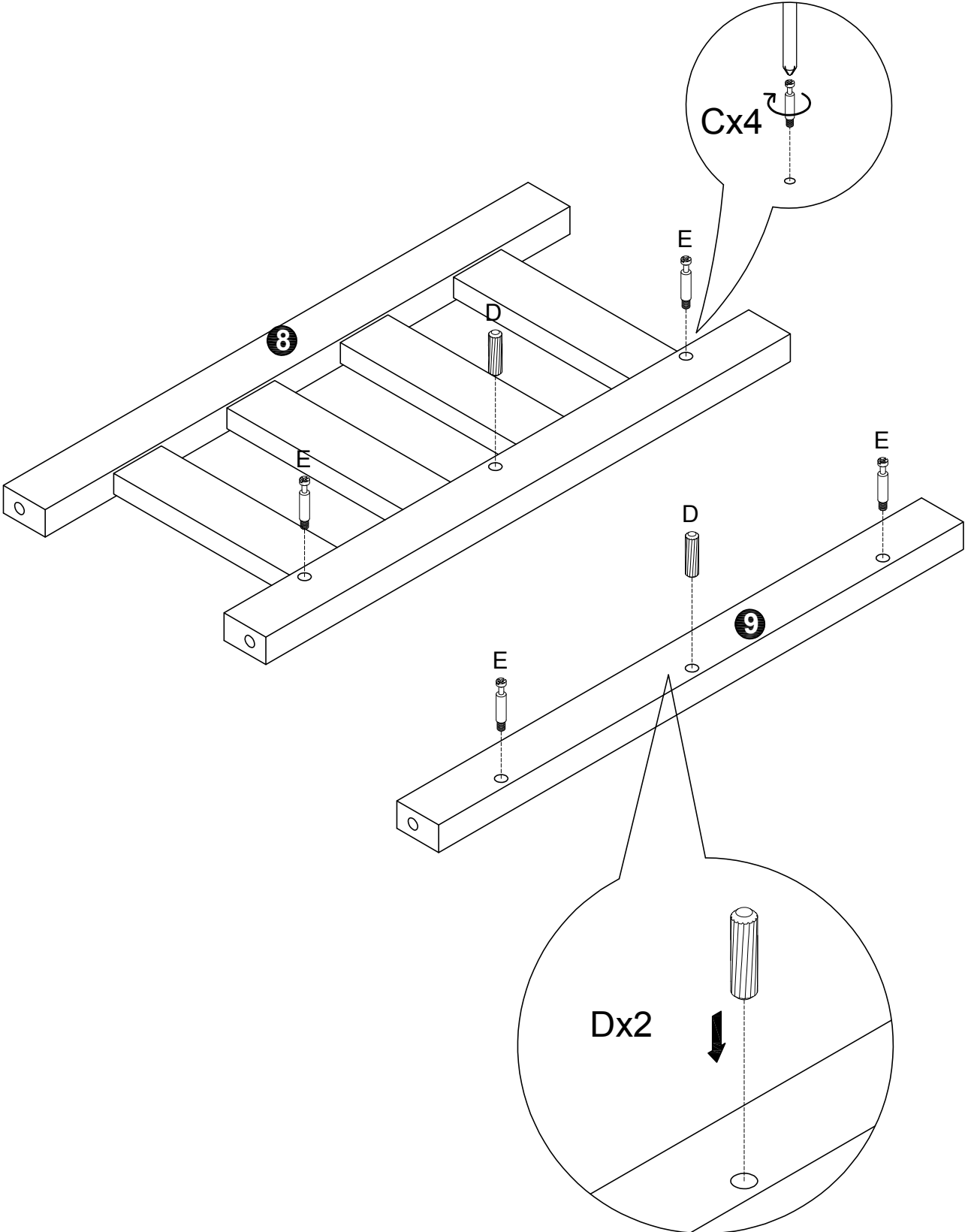
# Doll bed Lilly

## HARDWARE LIST



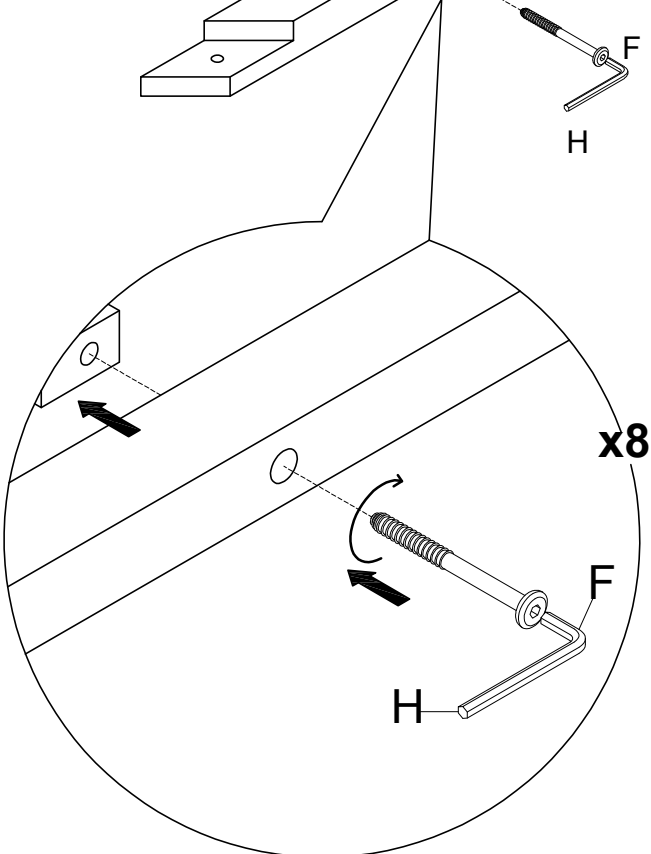
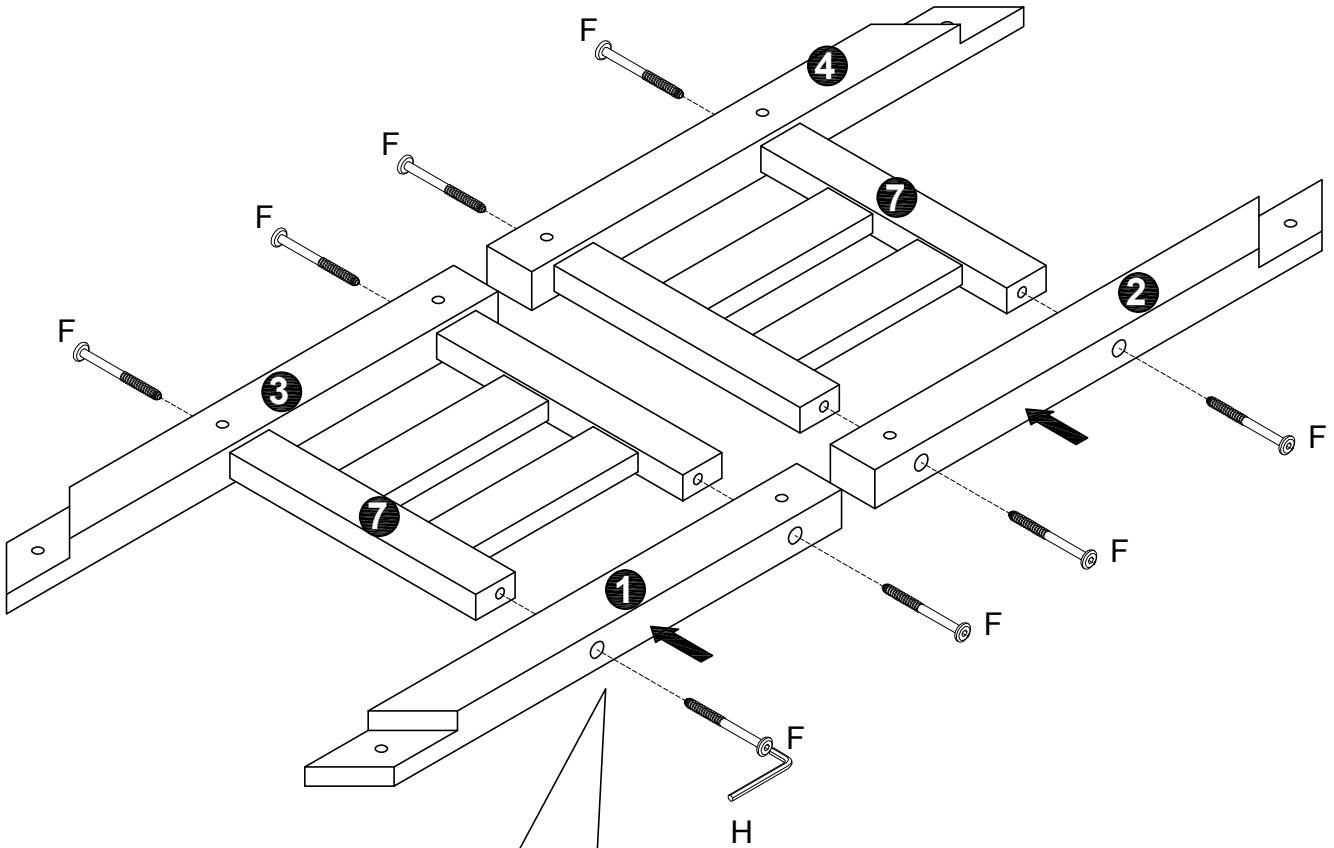
# Doll bed Lilly

## STEP 1



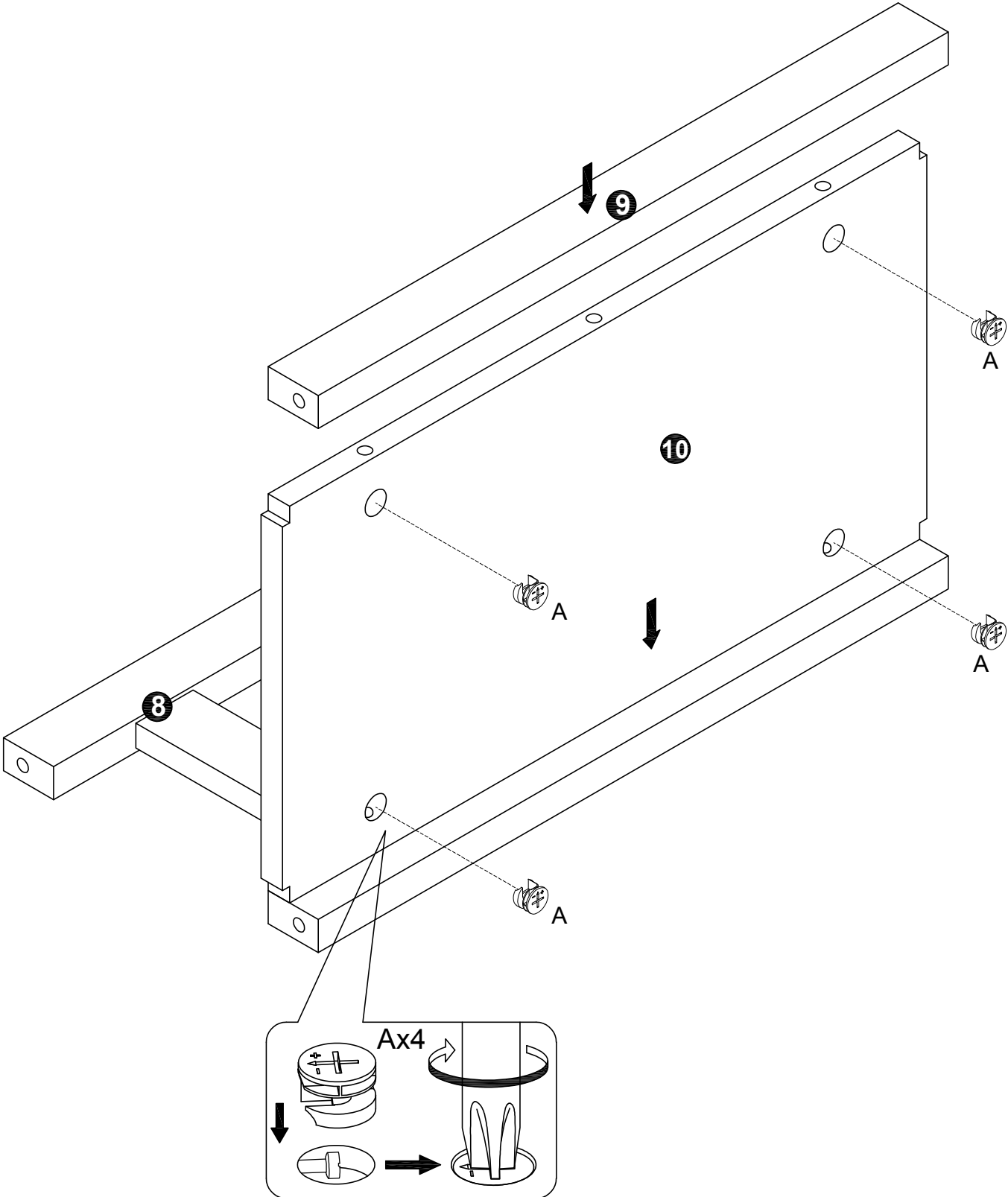
# Doll bed Lilly

## STEP 2



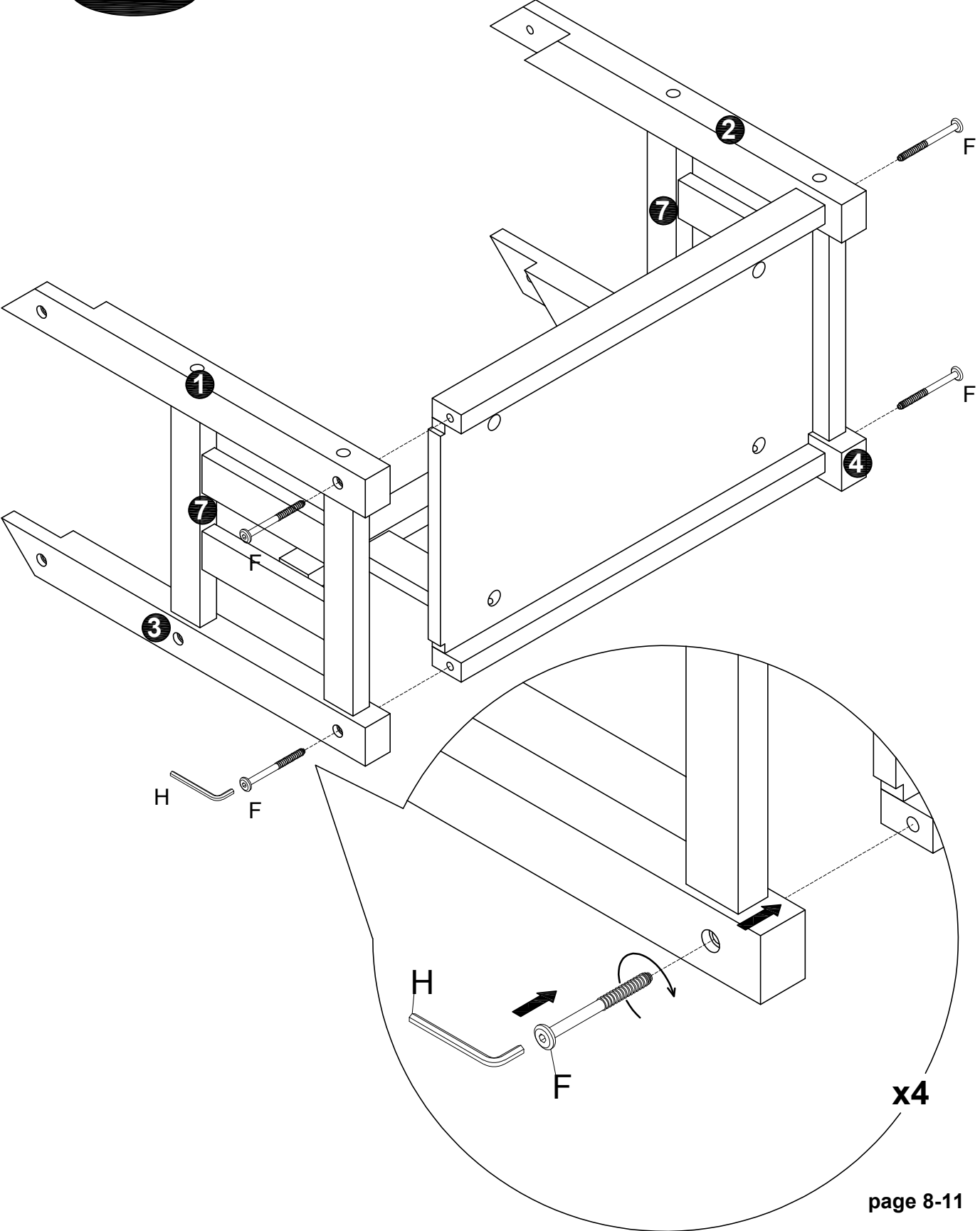
# Doll bed Lilly

## STEP 3



# Doll bed Lilly

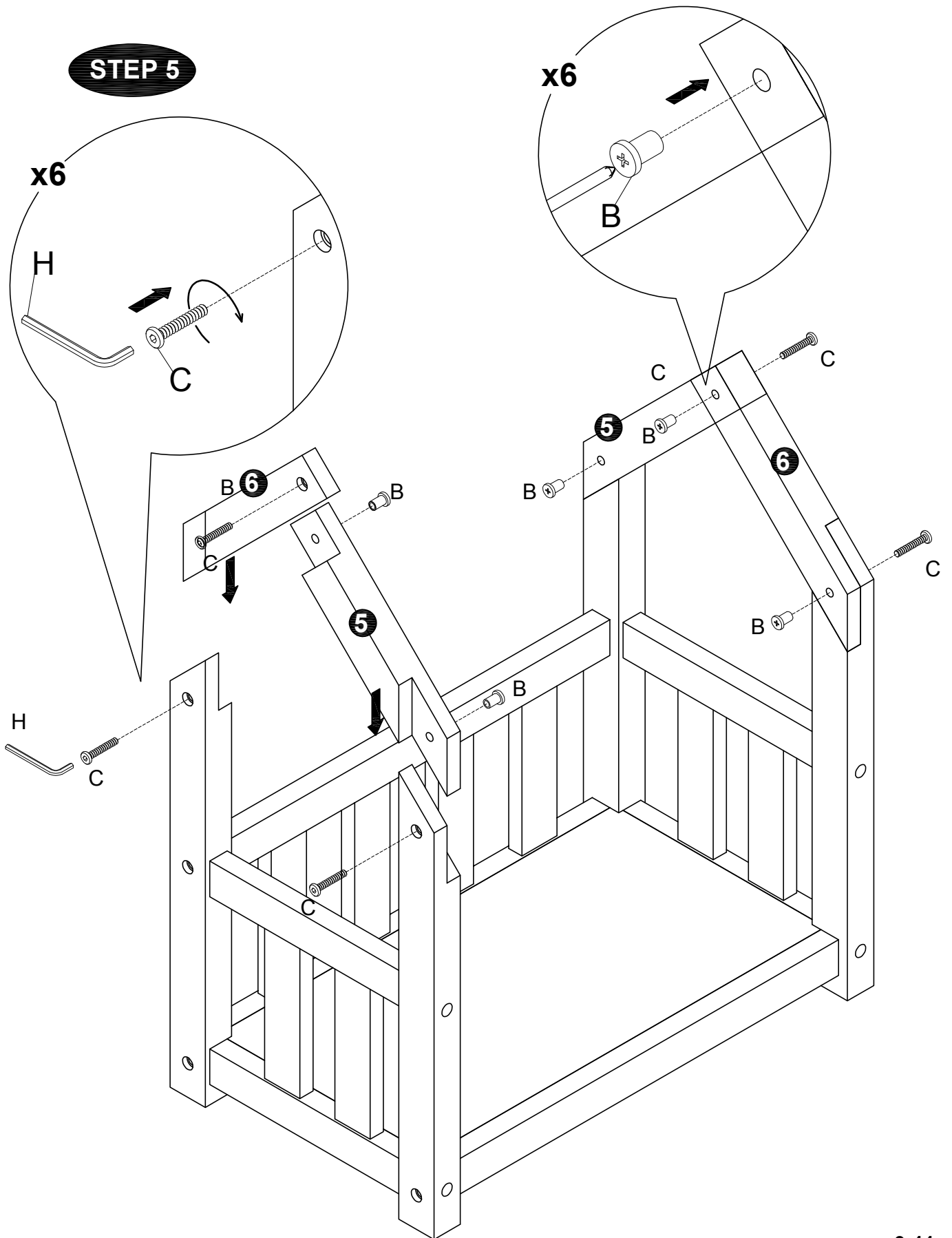
## STEP 4





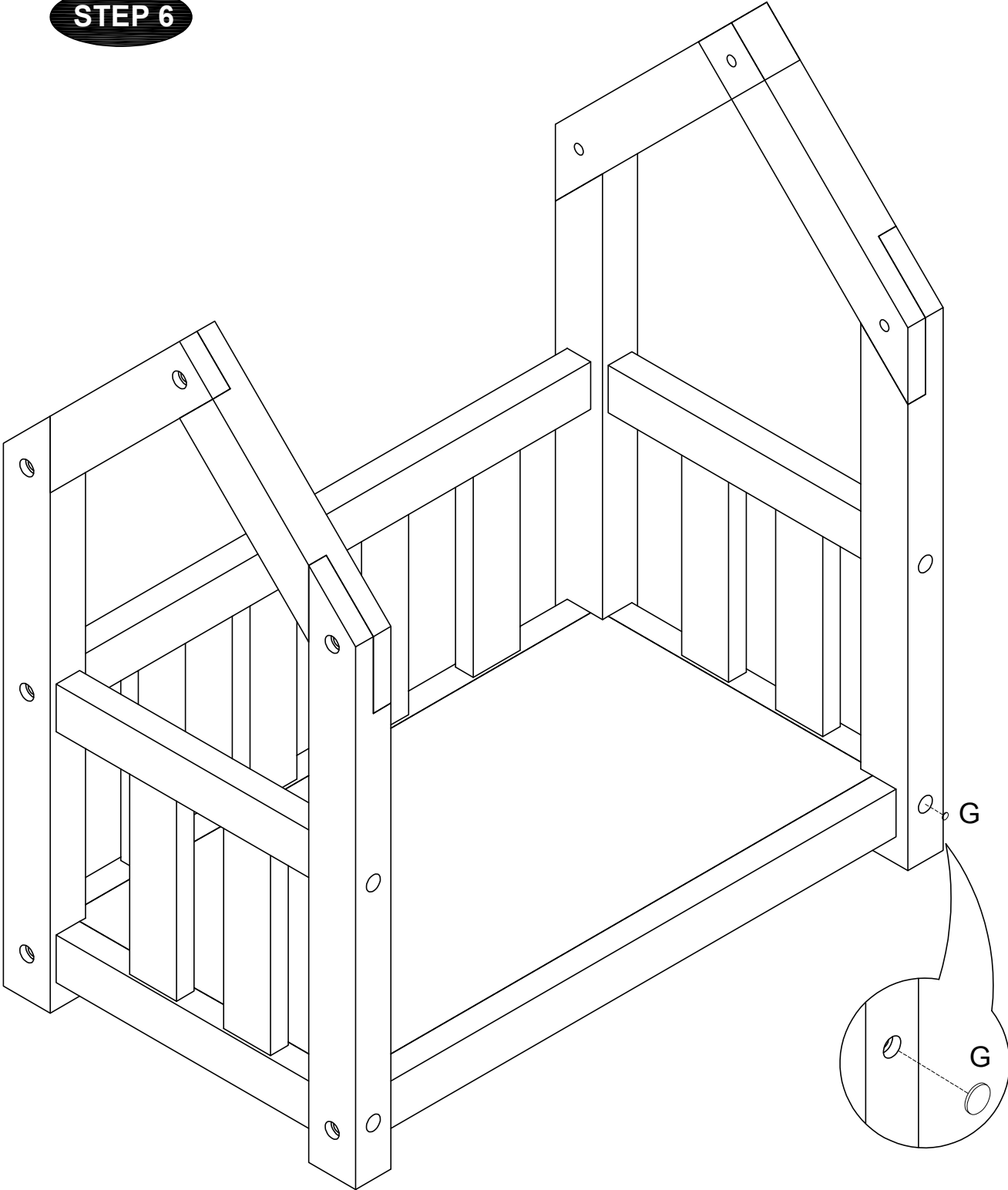
# Doll bed Lilly

**STEP 5**



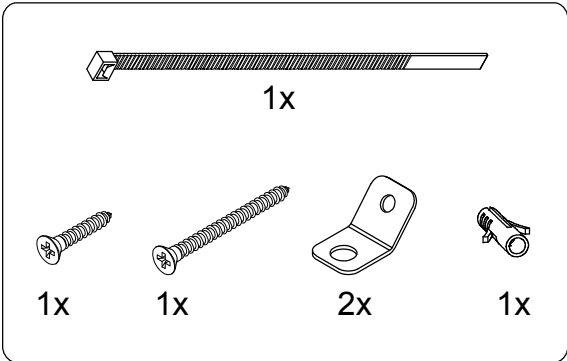
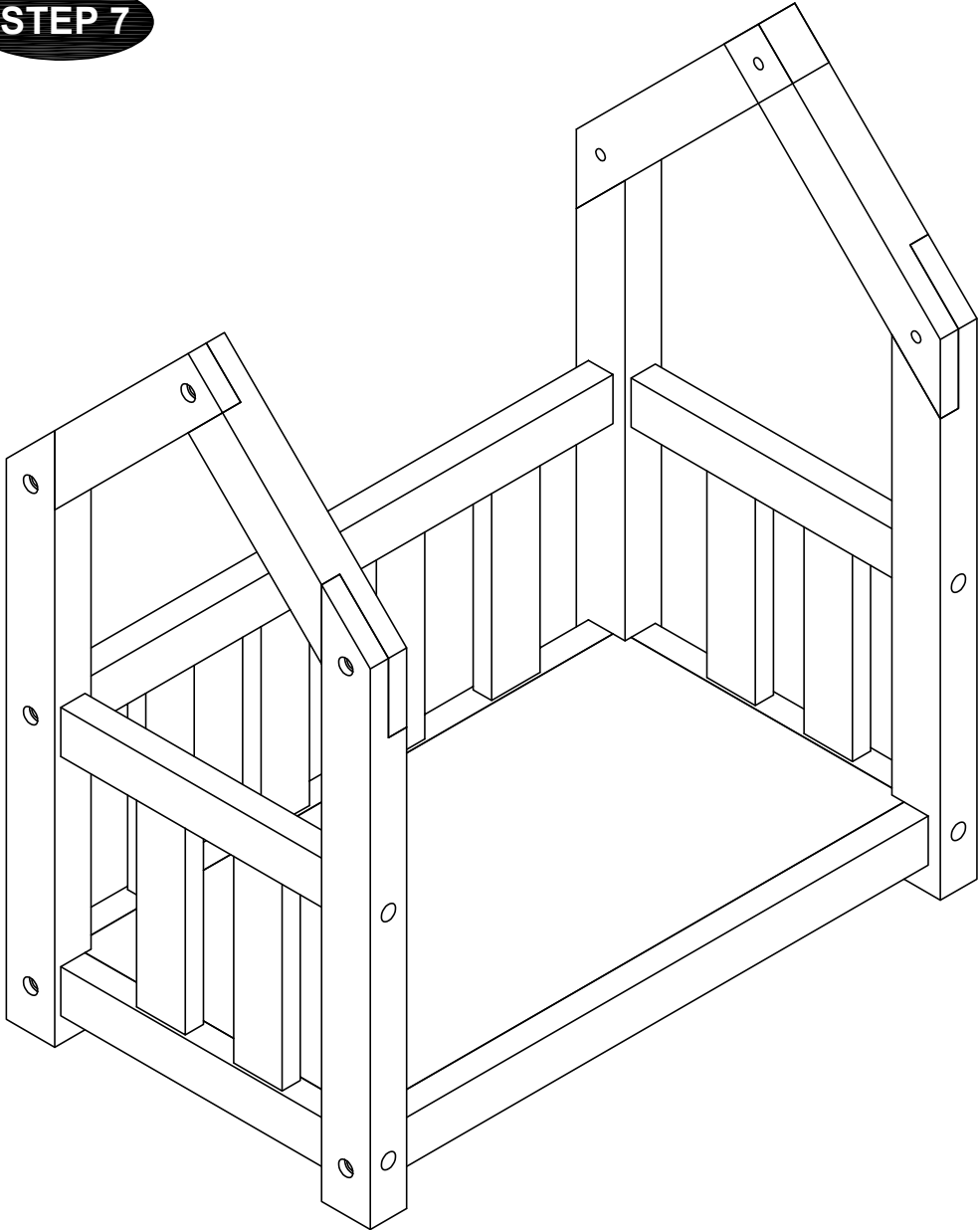
# Doll bed Lilly

**STEP 6**



# Doll bed Lilly

## STEP 7



Safety tip: Please attach the bed to the wall using the hardware provided.