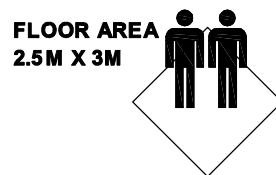
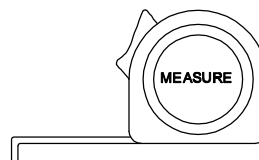
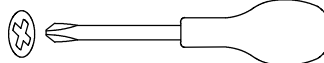
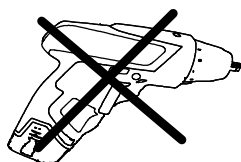


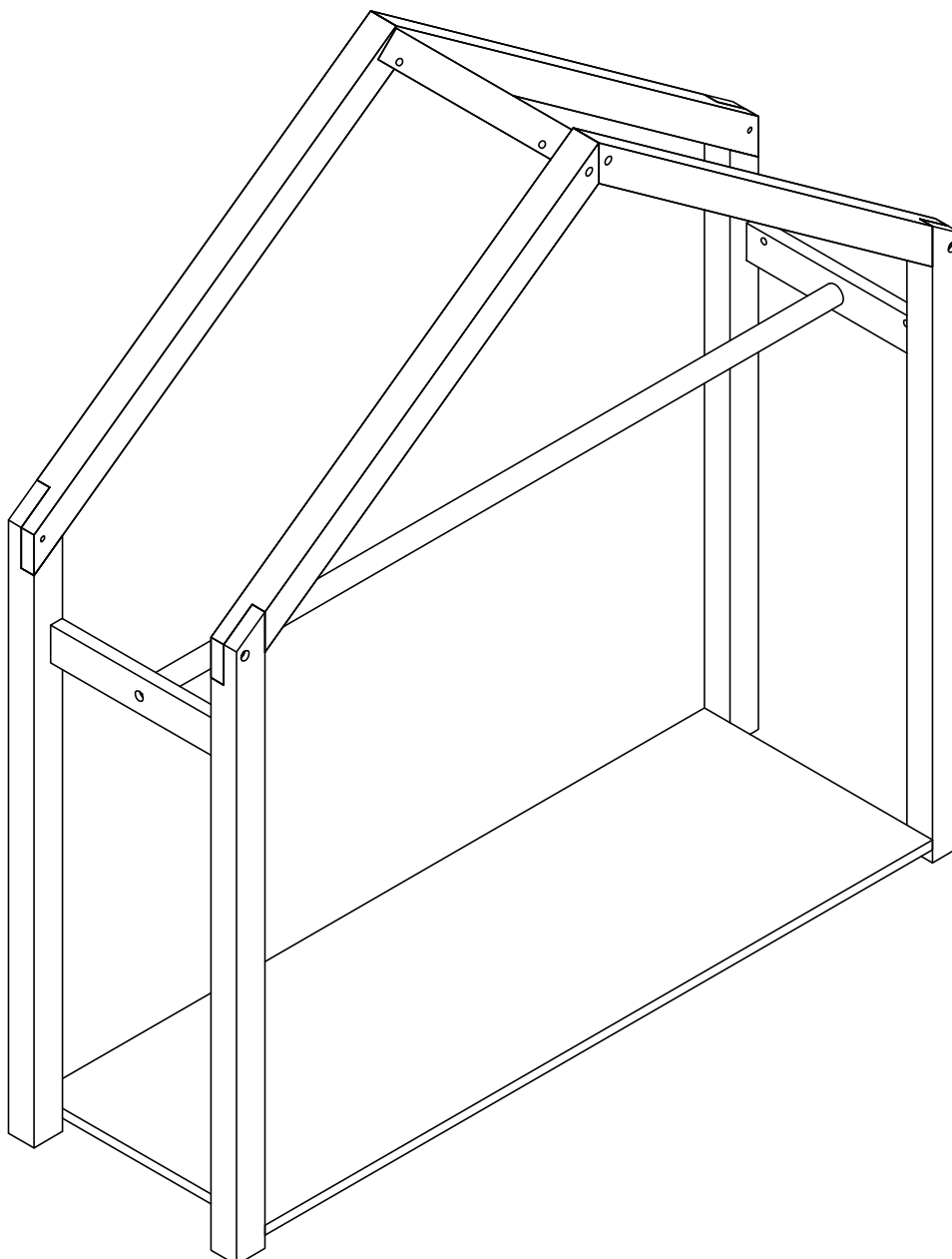
Lilly 90/120/140 Hanging rail



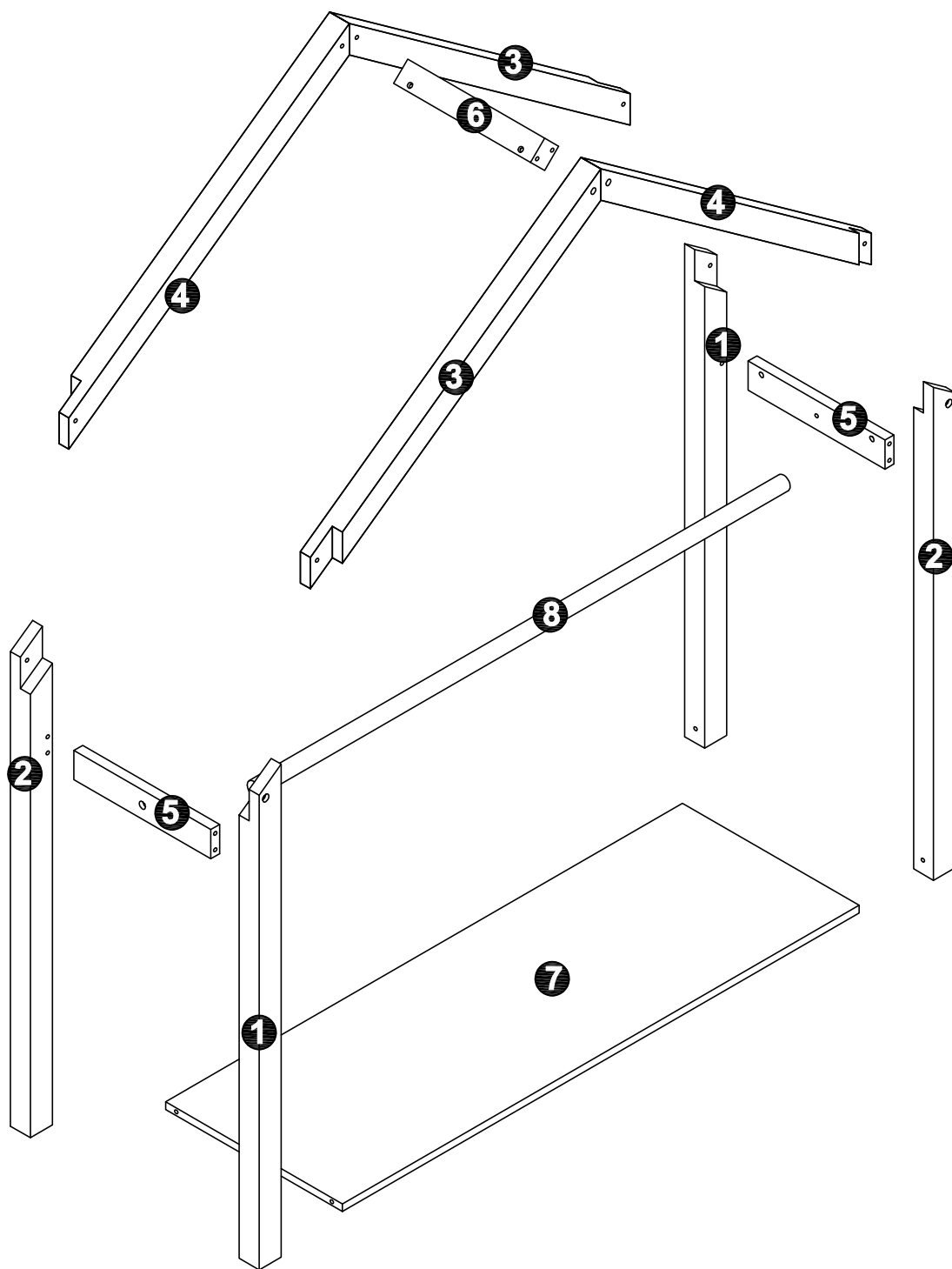
REQUIRED ASSEMBLY TOOLS



ASSEMBLED DIMENSIONS



Lilly 90/120/140 Hanging rail

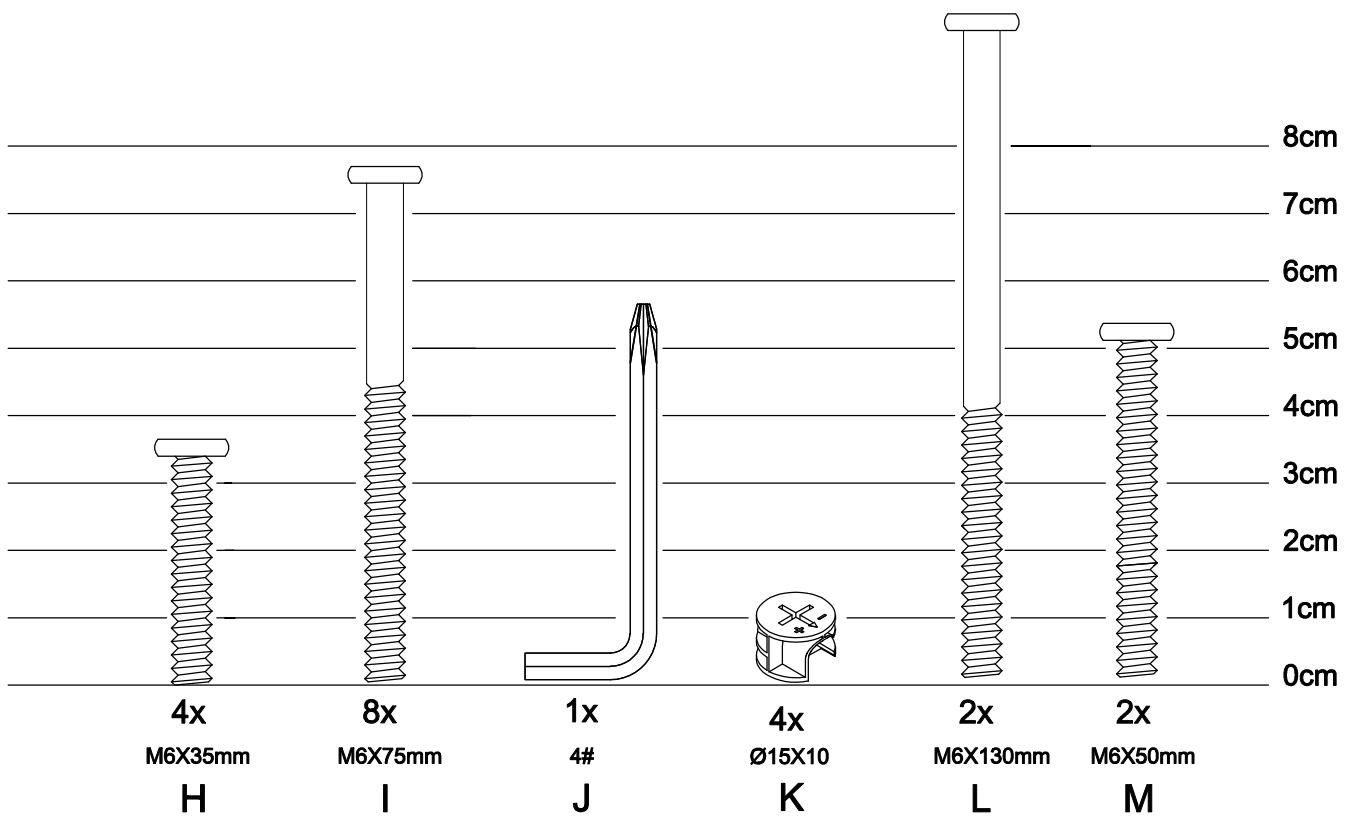
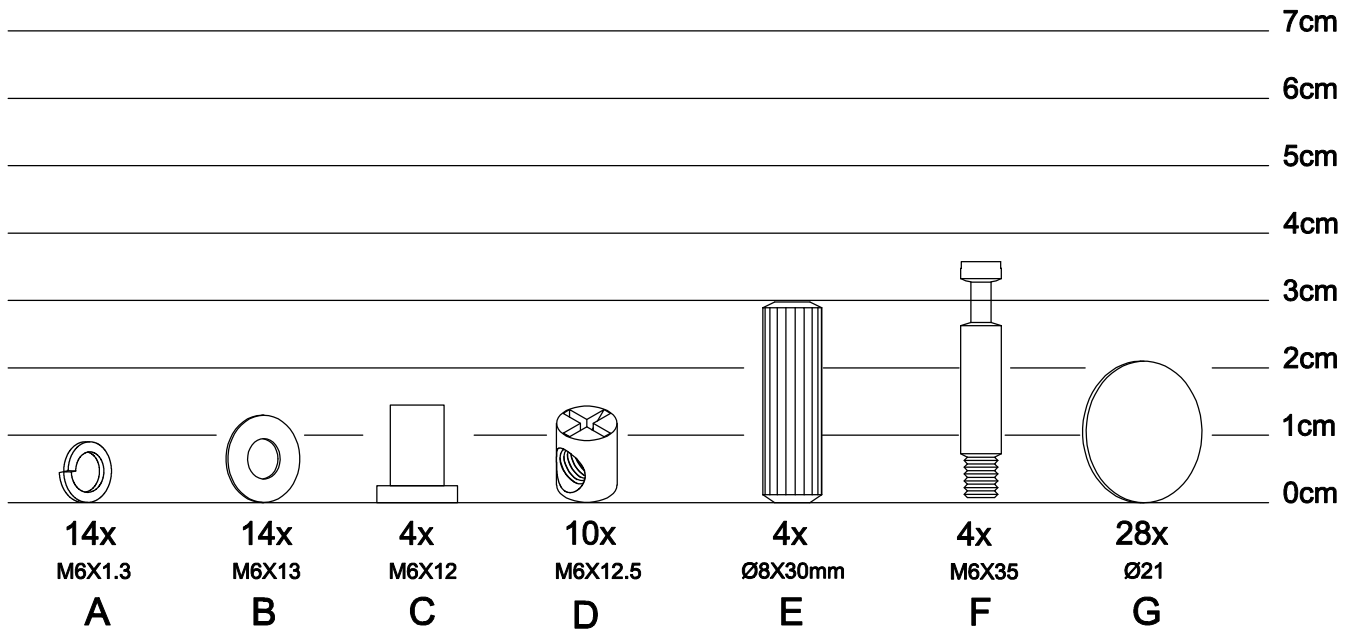


Lilly 90/120/140 Hanging rail

NO.	PARTS LIST	QTY	NO.	PARTS LIST	QTY
①	Left front/right back leg	2	⑤	Bed side	2
②	Left back/right front leg	2	⑥	Crossbeam	1
③	Front left beam/Back right beam	2	⑦	Lower plate	1
④	Left back/right front beam	2	⑧	Hanging rail	1

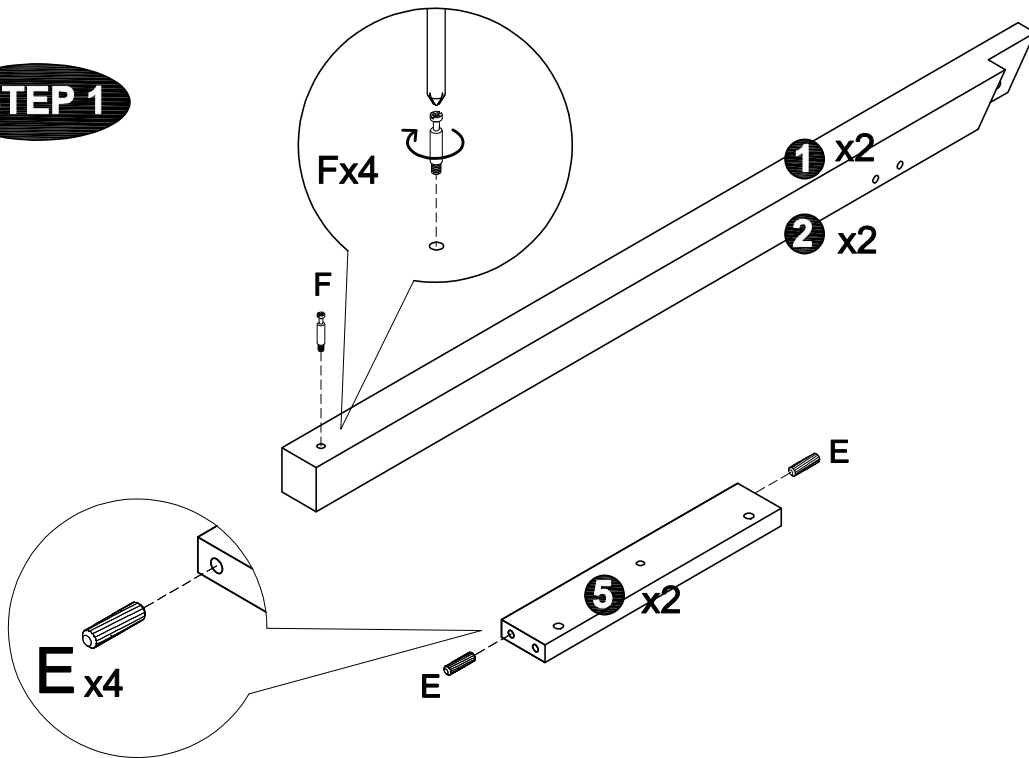
Lilly 90/120/140 Hanging rail

HARDWARE LIST

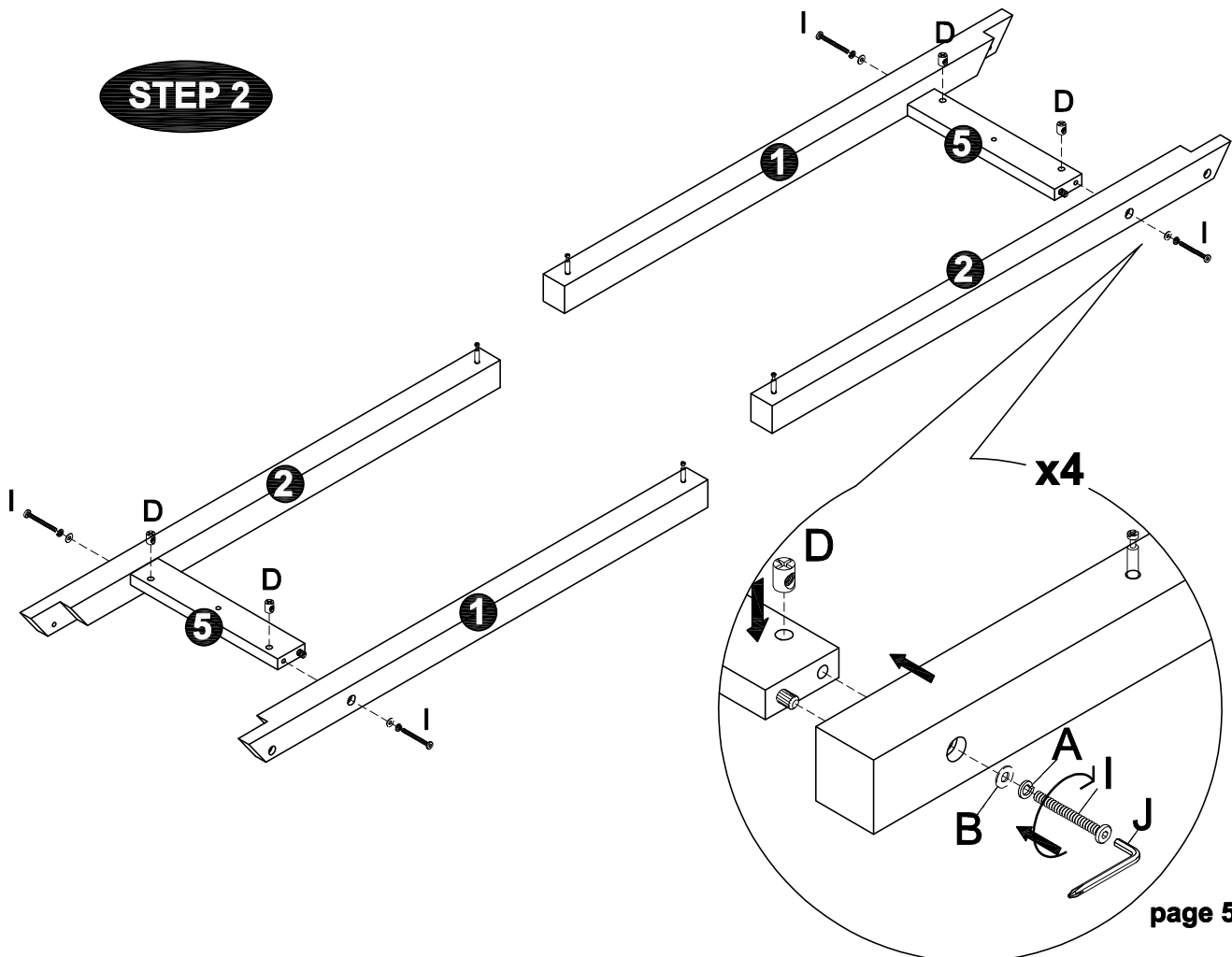


Lilly 90/120/140 Hanging rail

STEP 1

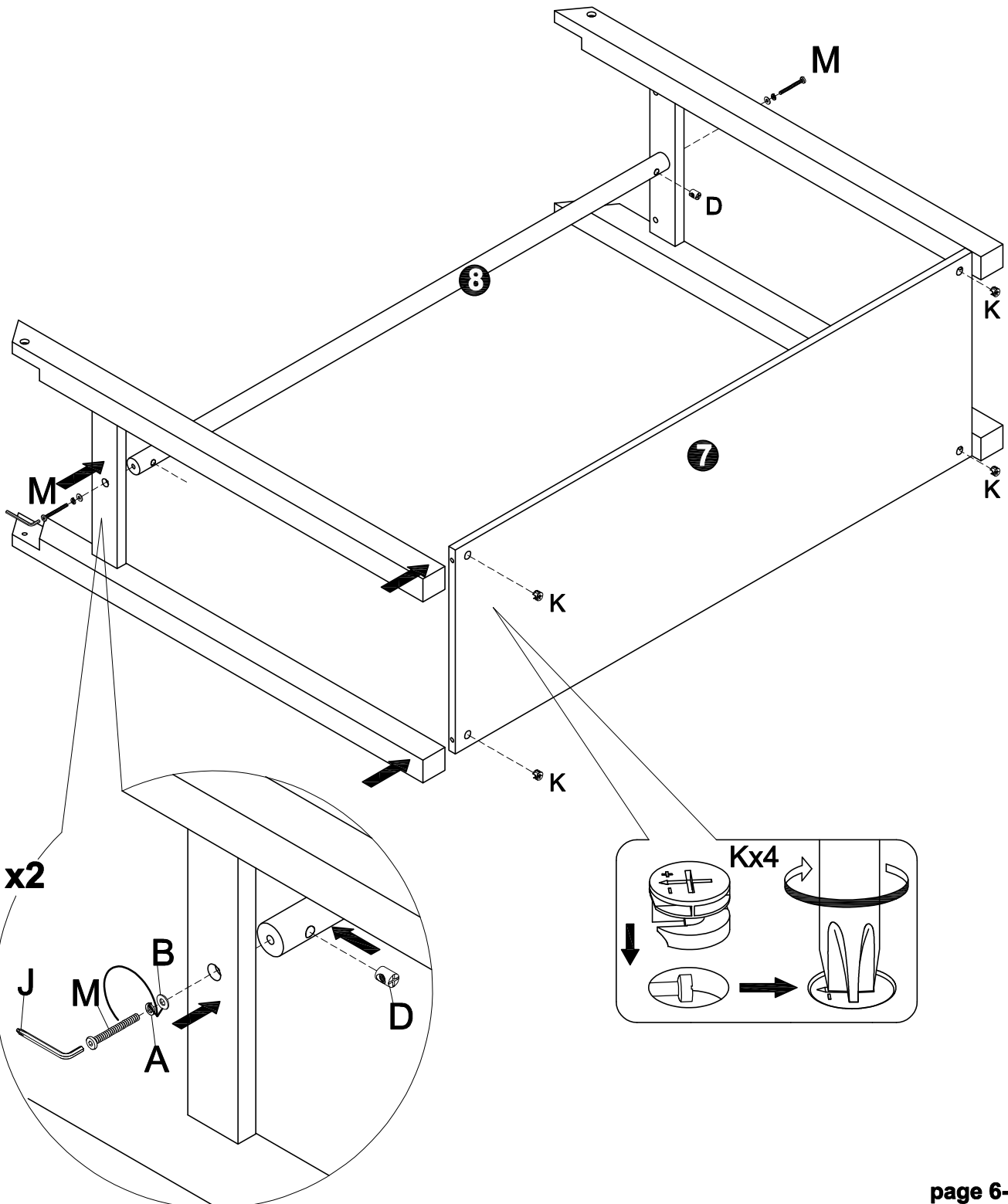


STEP 2



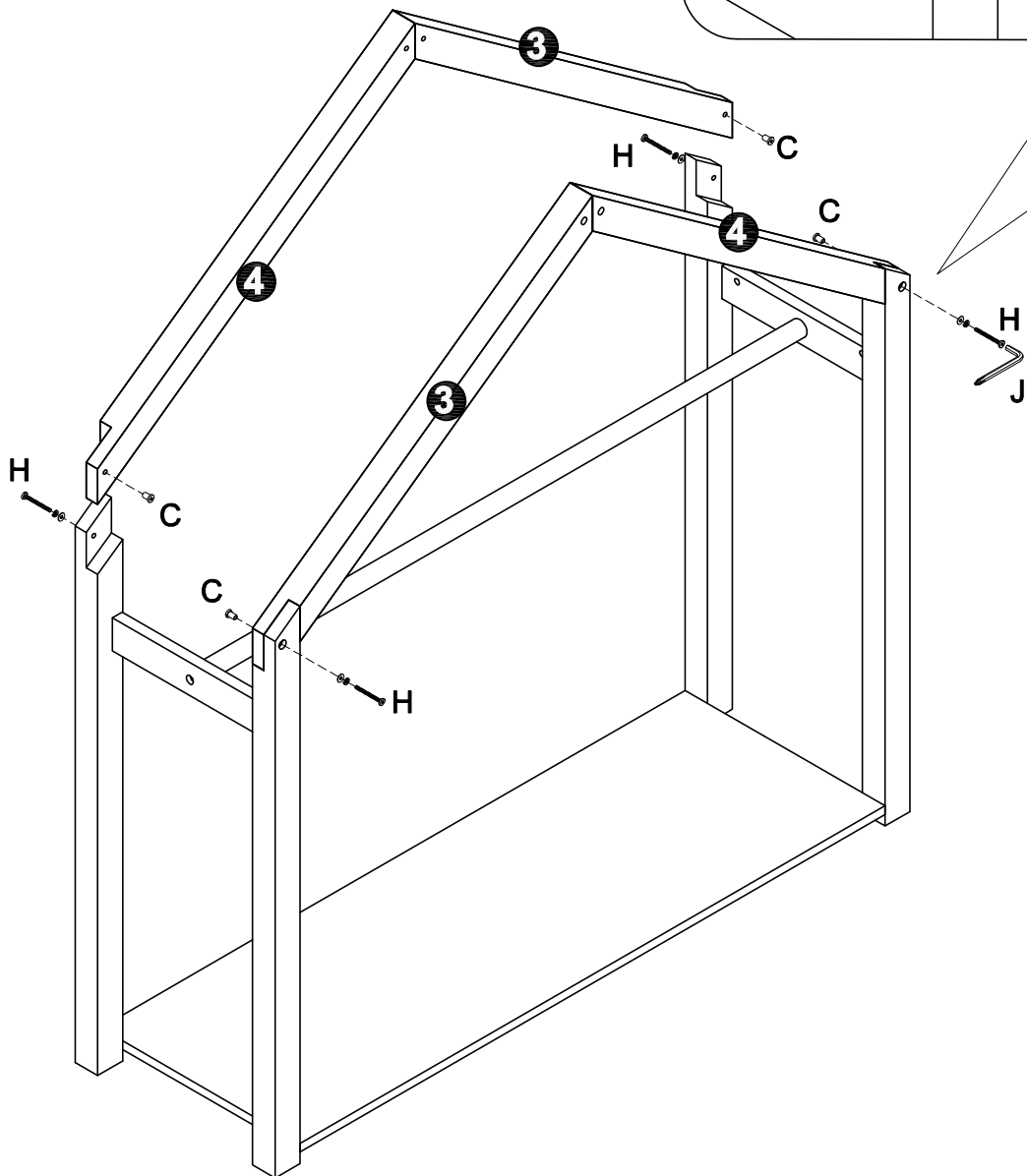
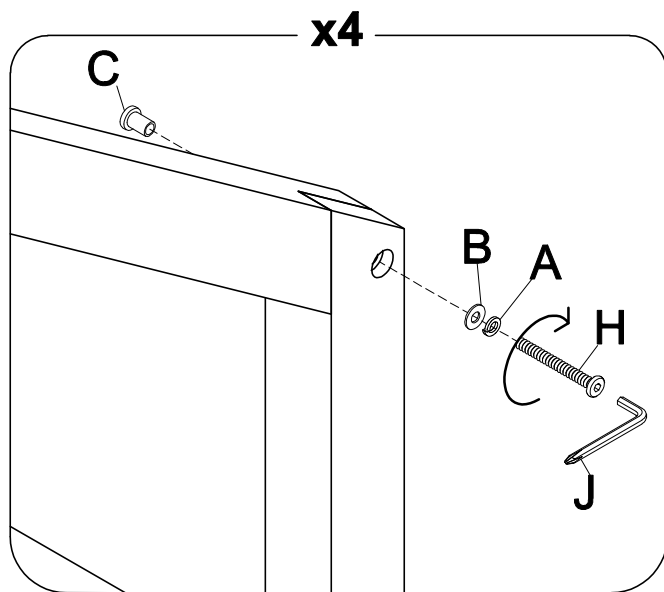
Lilly 90/120/140 Hanging rail

STEP 3



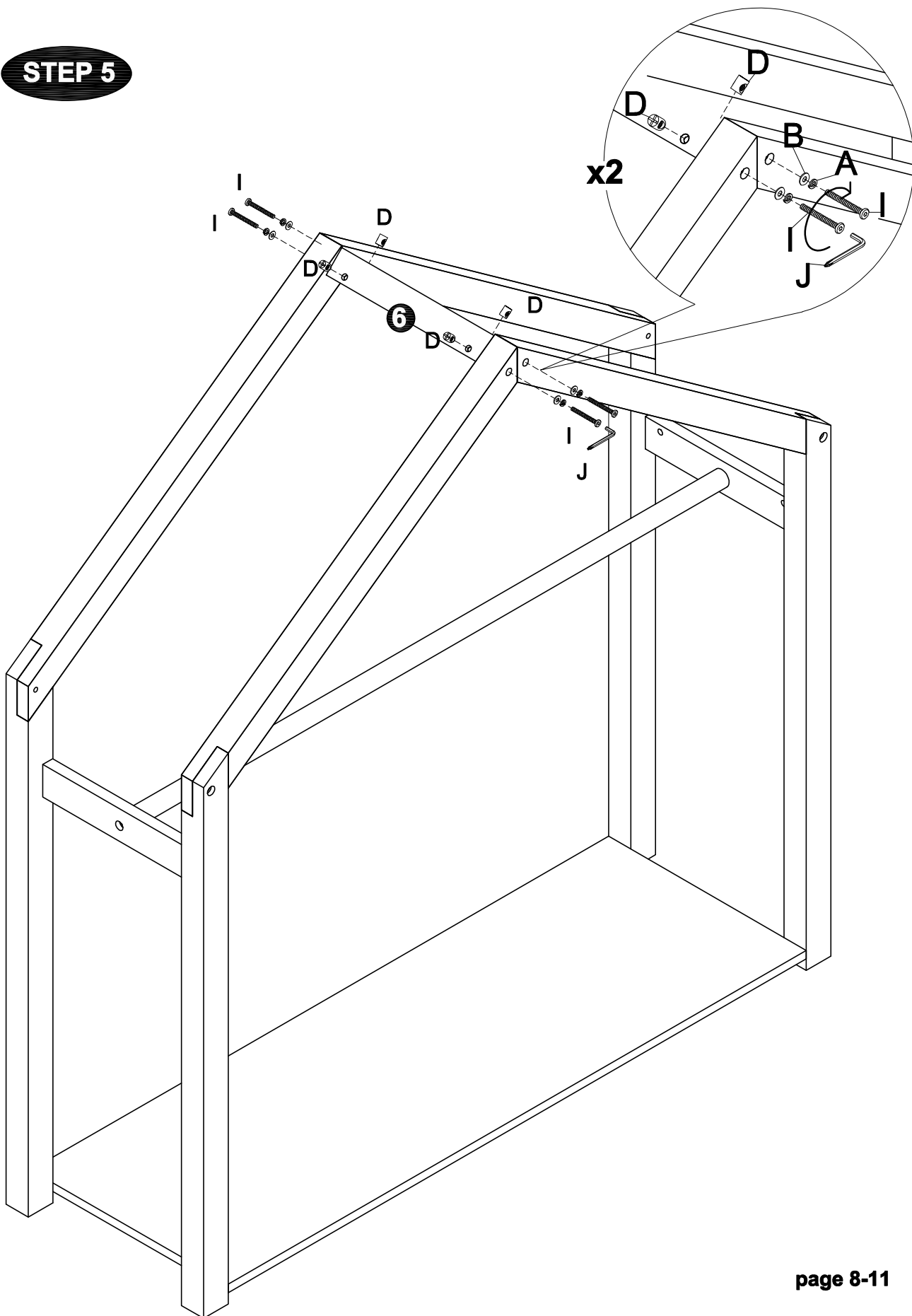
Lilly 90/120/140 Hanging rail

STEP 4



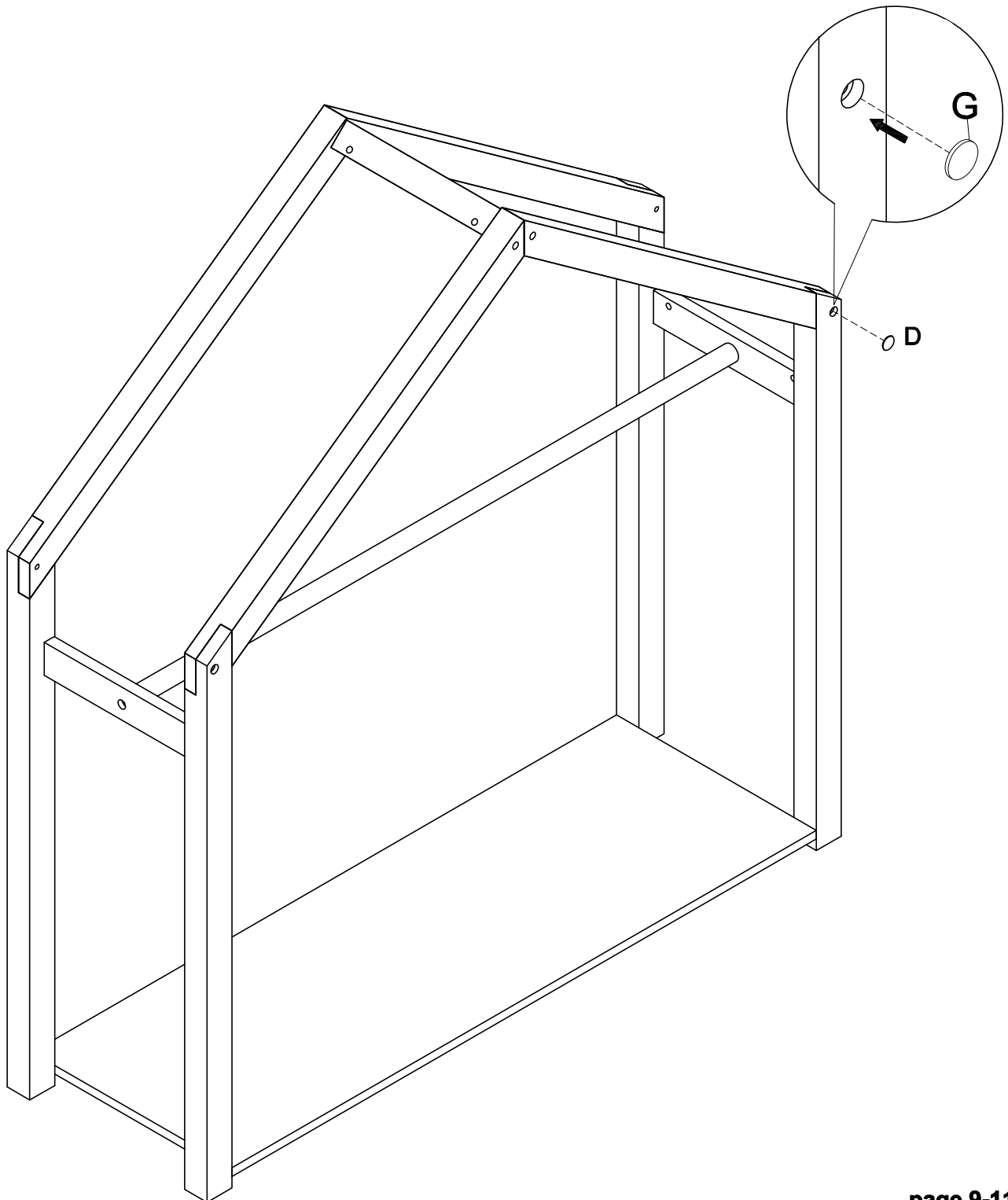
Lilly 90/120/140 Hanging rail

STEP 5



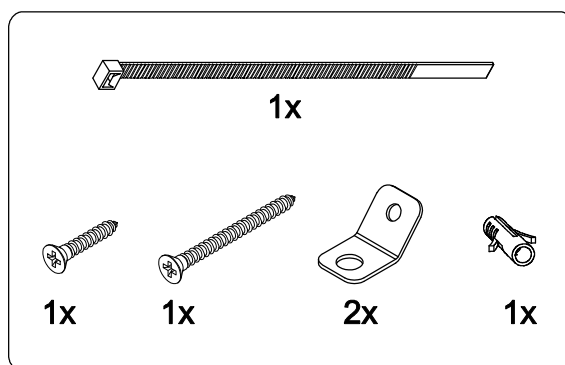
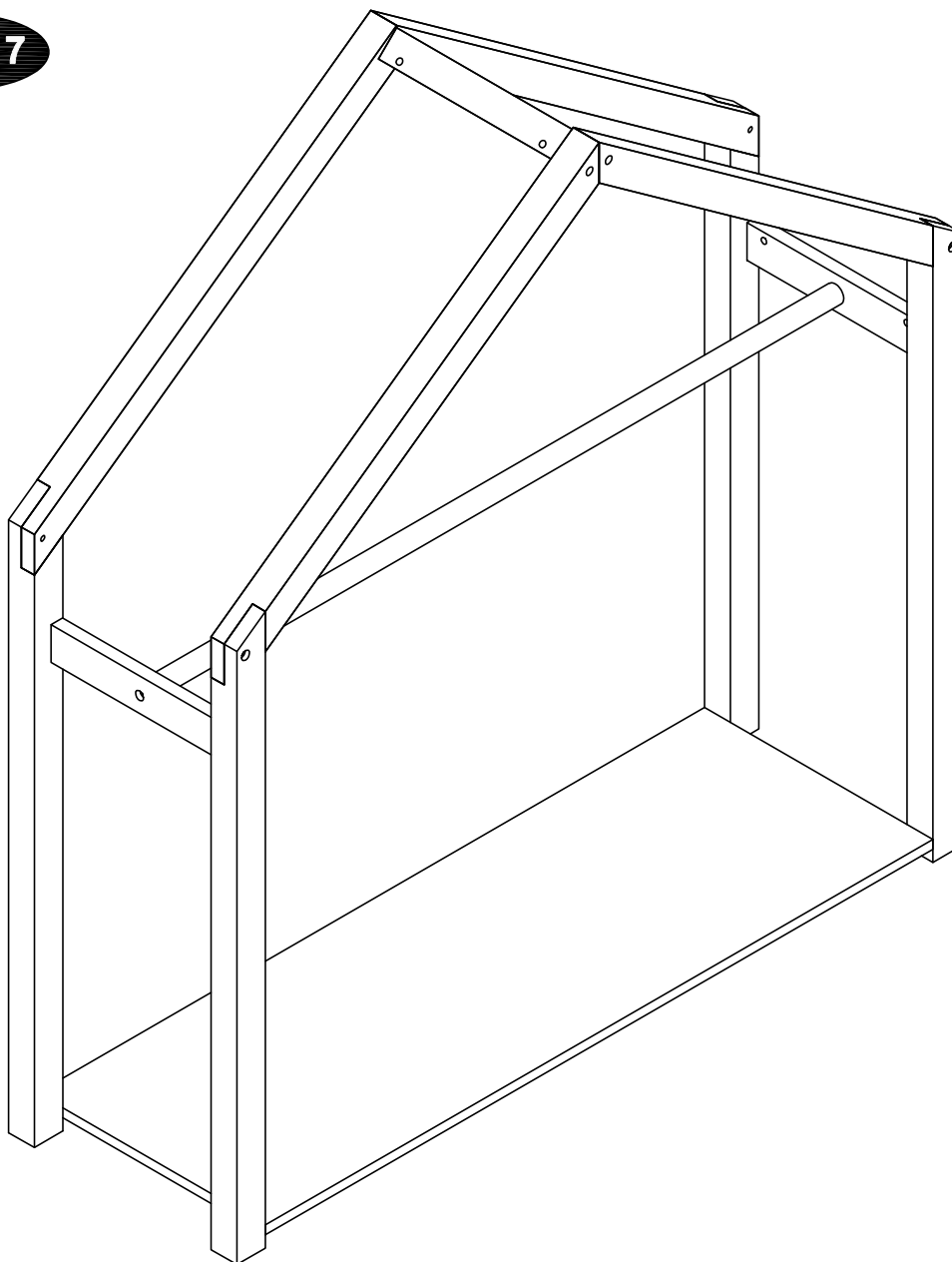
Lilly 90/120/140 Hanging rail

STEP 6



Lilly 90/120/140 Hanging rail

STEP 7



Safety tip: Please attach the bed to the wall using the hardware provided.

Lilly 90/120/140 Hanging rail

STEP 8

