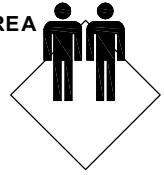


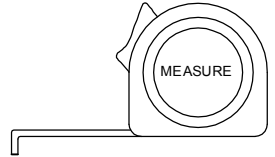
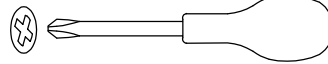
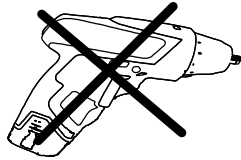
Dresser Laslo



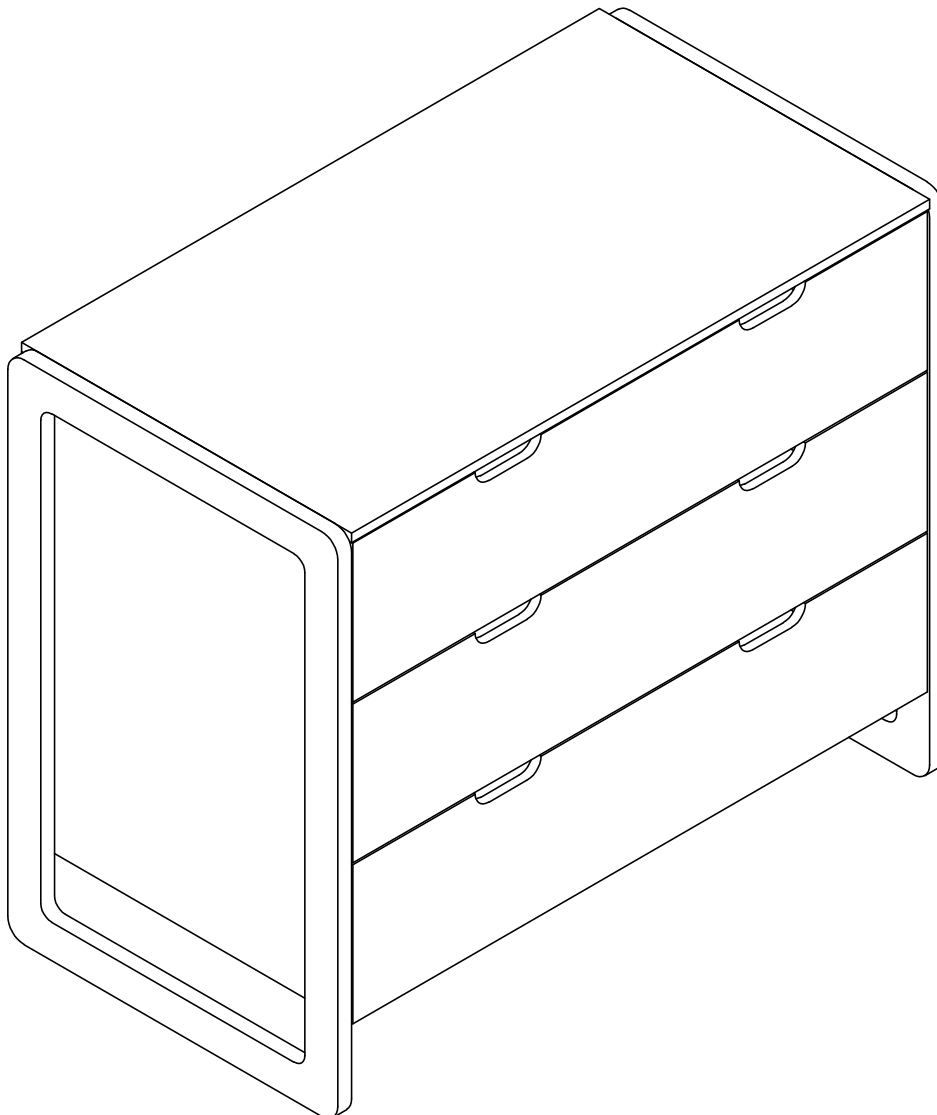
FLOOR AREA
2.5M X 3M



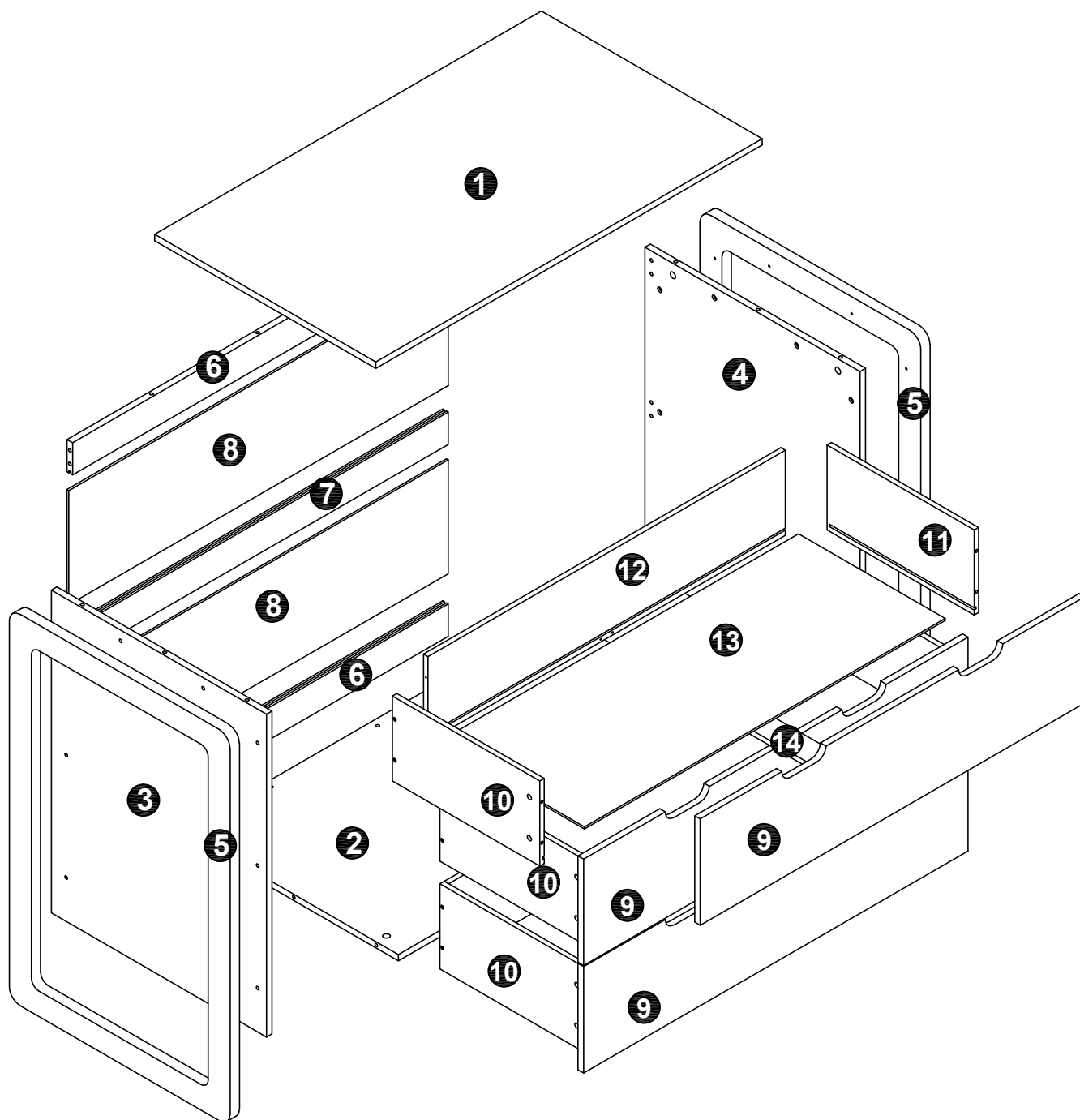
REQUIRED ASSEMBLY TOOLS



ASSEMBLED DIMENSIONS



Dresser Laslo

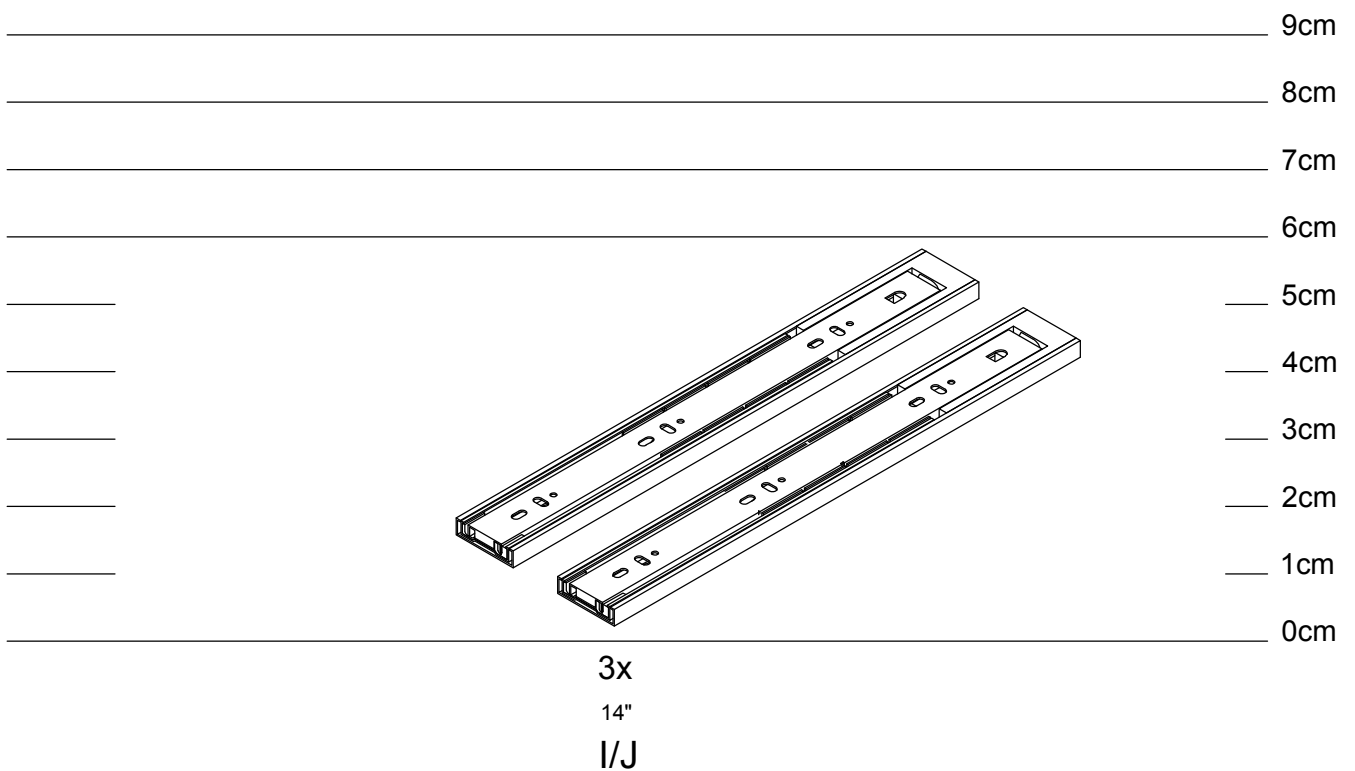
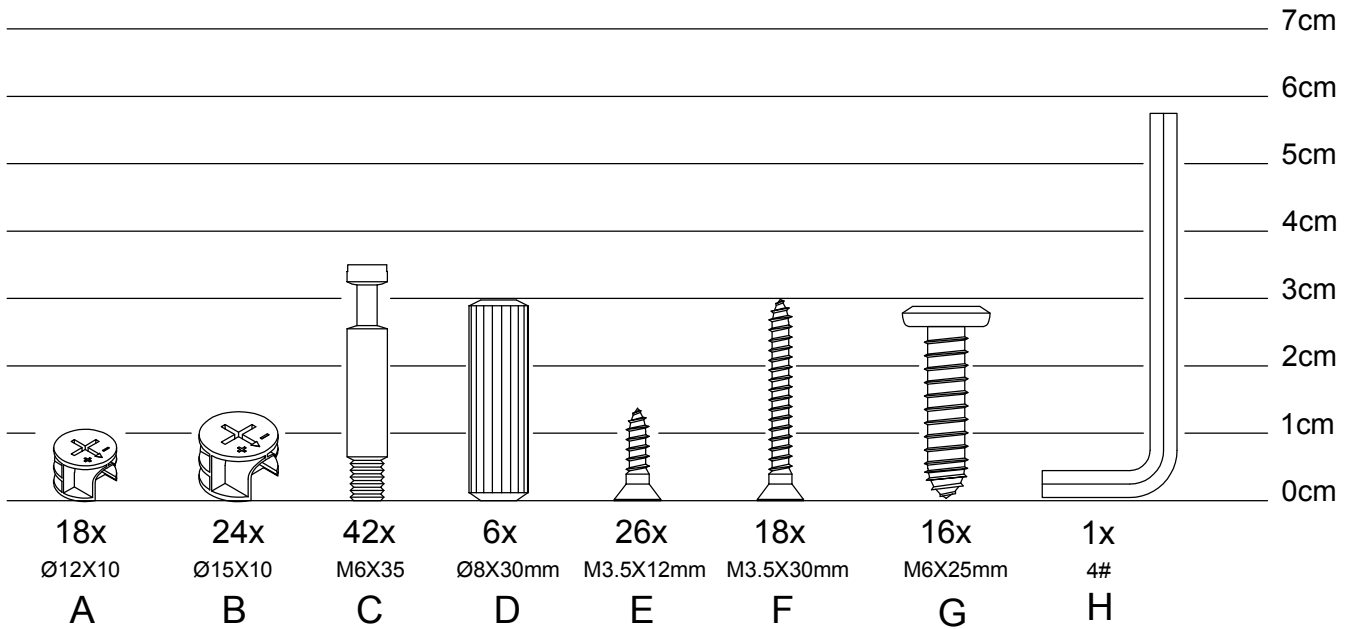


Dresser Laslo

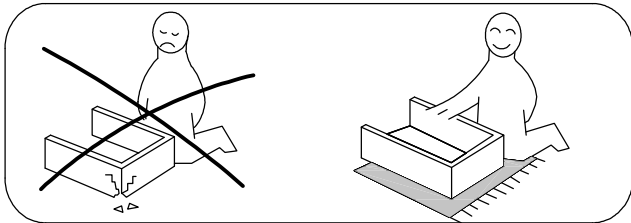
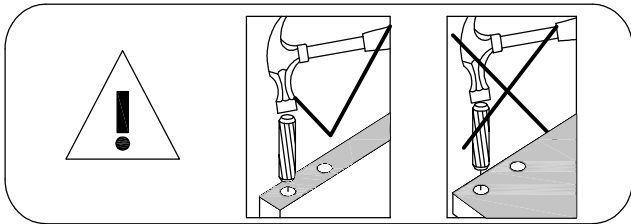
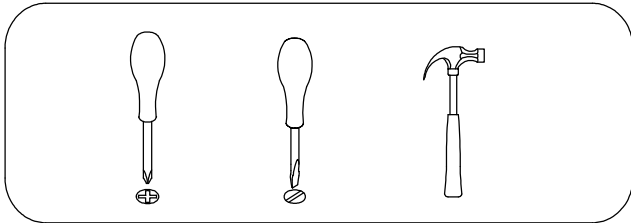
NO.	PARTS LIST	QTY	NO.	PARTS LIST	QTY
①	Top panel	1	⑧	Back panel	2
②	Bottom panel	1	⑨	Front panel	3
③	Left side	1	⑩	Left drawer panel	3
④	Right side	1	⑪	Right drawer panel	3
⑤	Left/right feet	2	⑫	Drawer back panel	3
⑥	Support beam	2	⑬	Drawer bottom panel	3
⑦	Middle support beam	1	⑭	Drawer support beam	3

Dresser Laslo

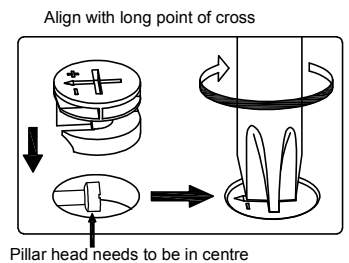
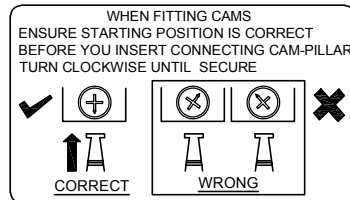
HARDWARE LIST



Dresser Laslo

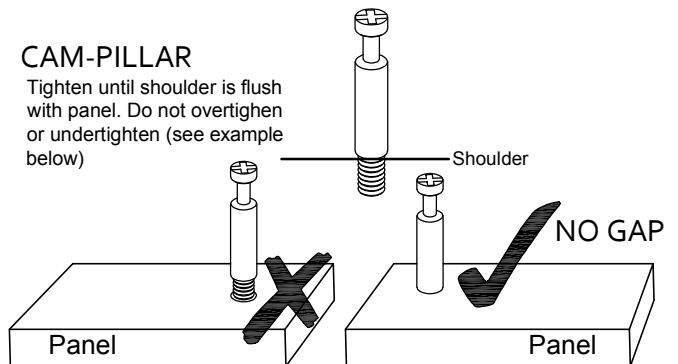


TIPS FOR FITTING CAM-LOCKS AND CAM-PILLARS



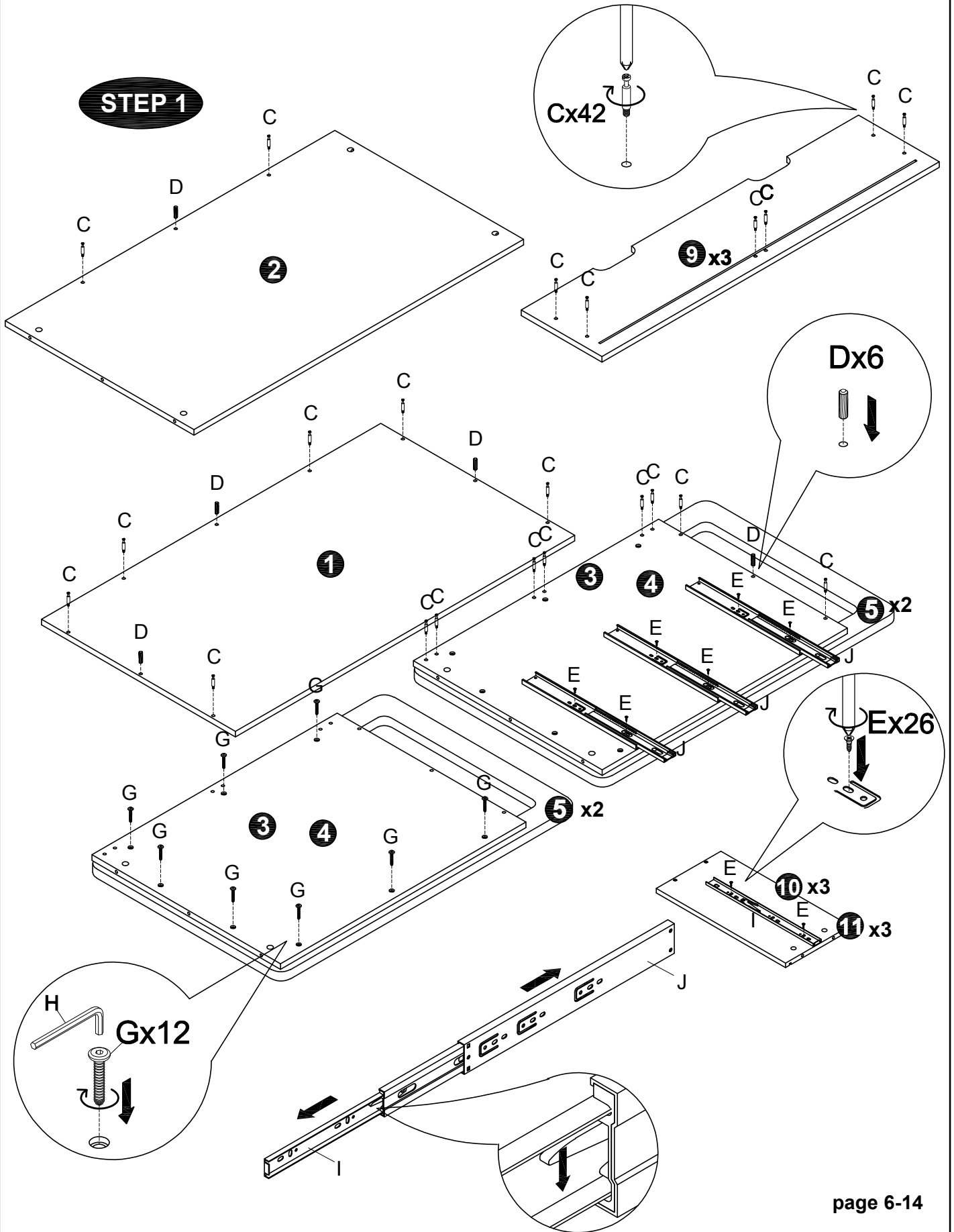
CAM-PILLAR

Tighten until shoulder is flush with panel. Do not overtighten or undertighten (see example below)



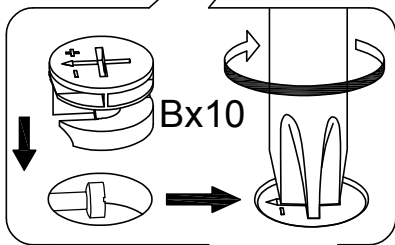
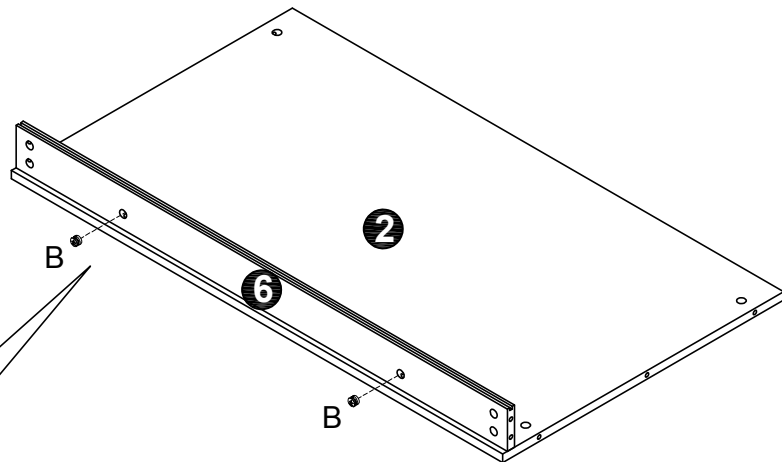
Dresser Laslo

STEP 1

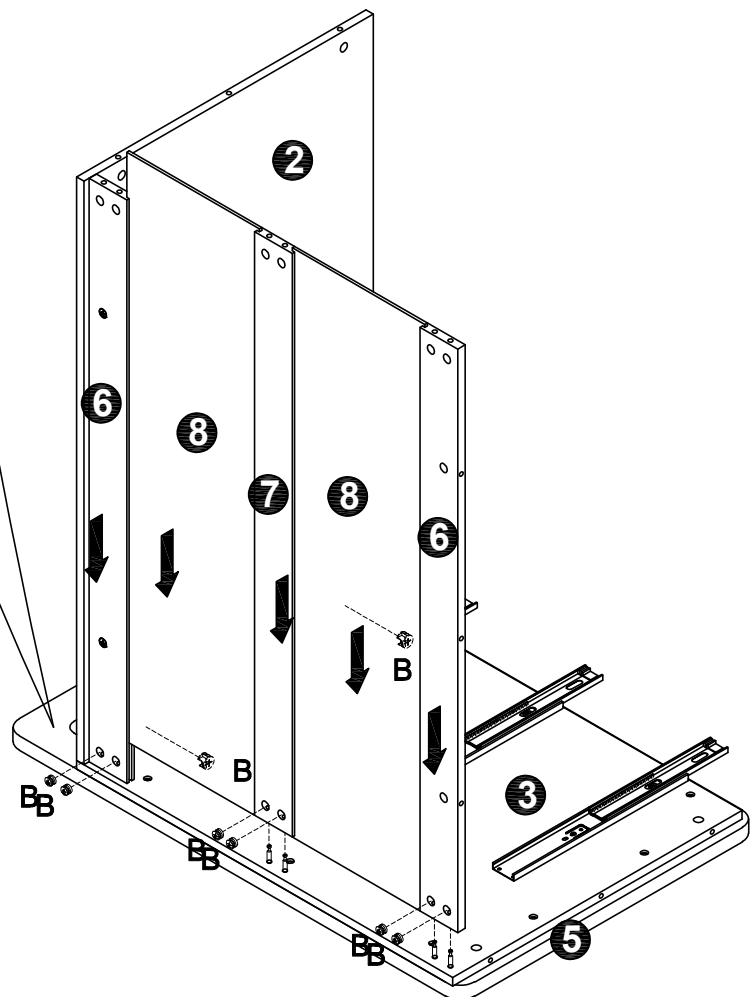


Dresser Laslo

STEP 2

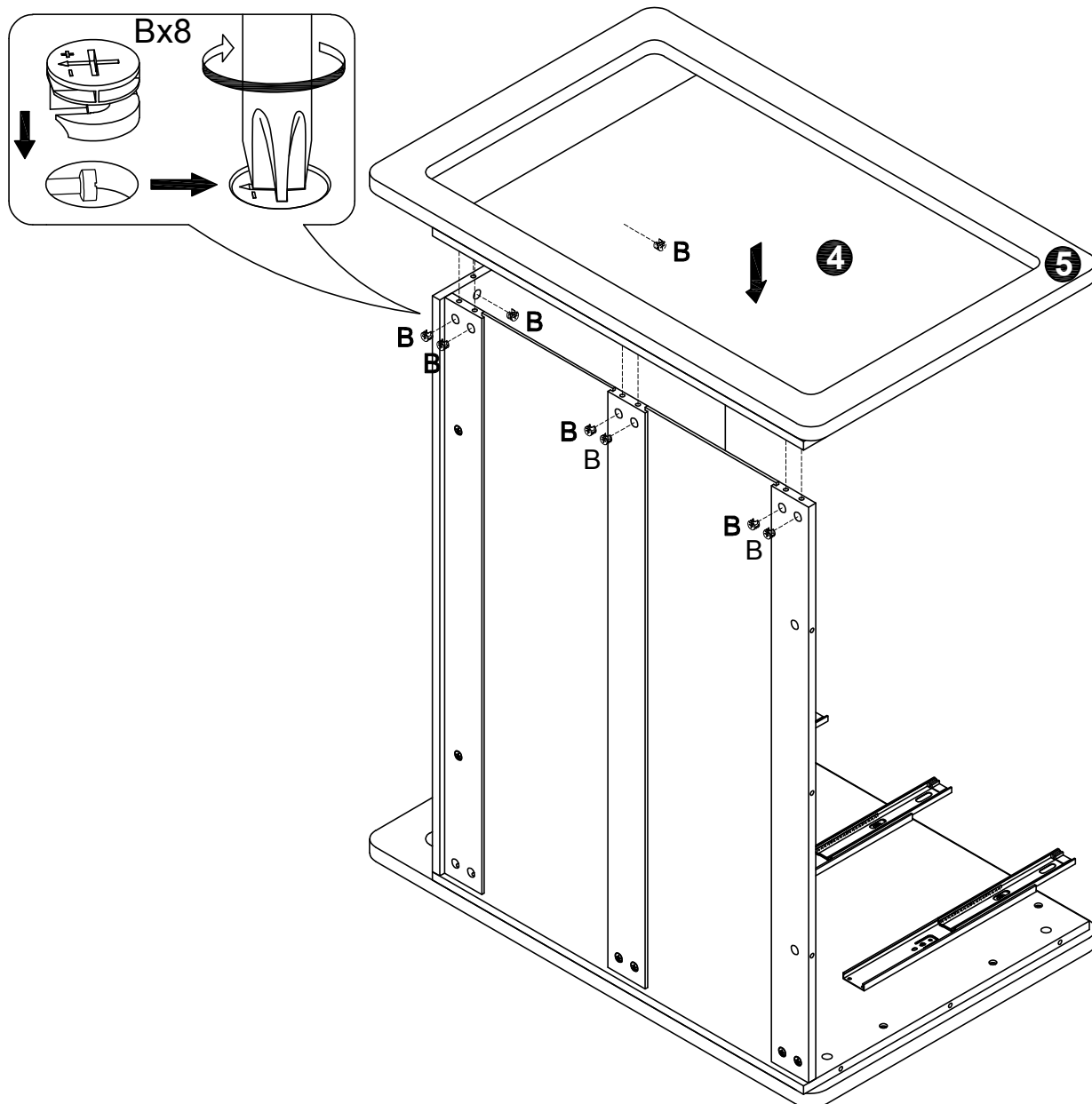


STEP 3



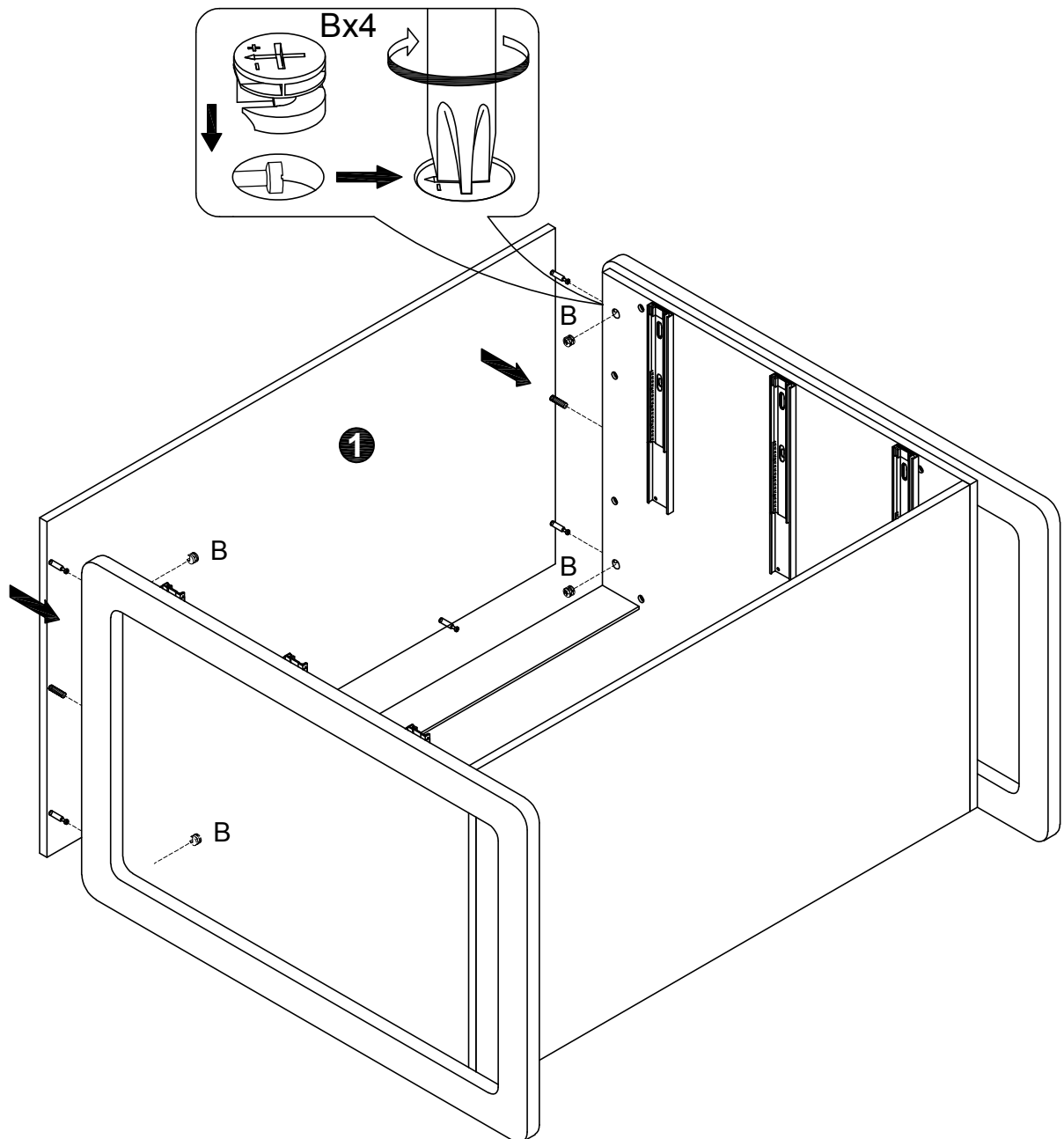
Dresser Laslo

STEP 4



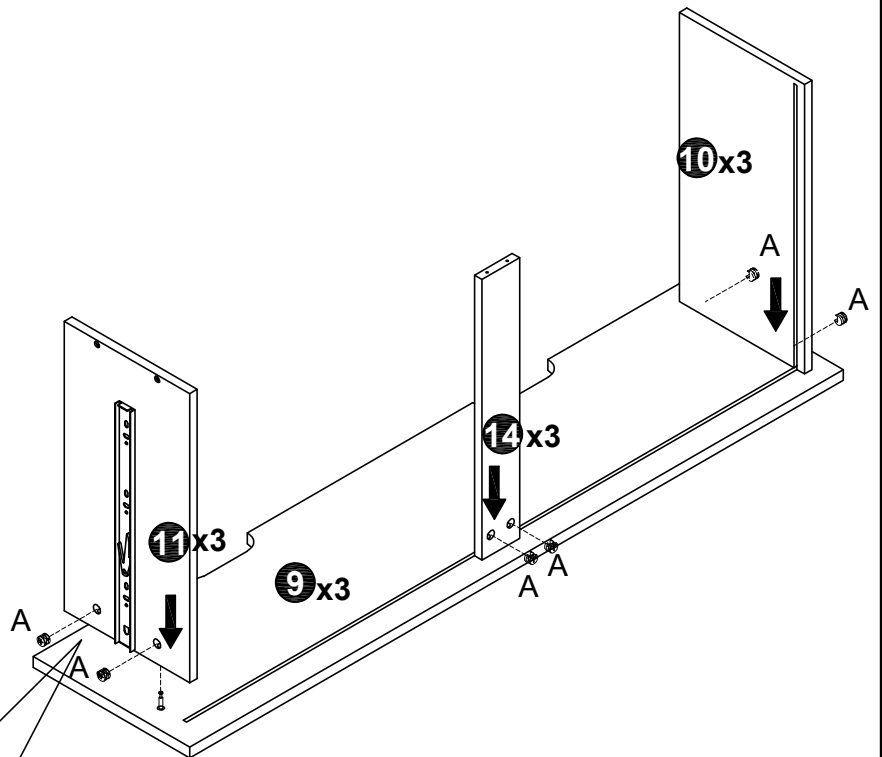
Dresser Laslo

STEP 5

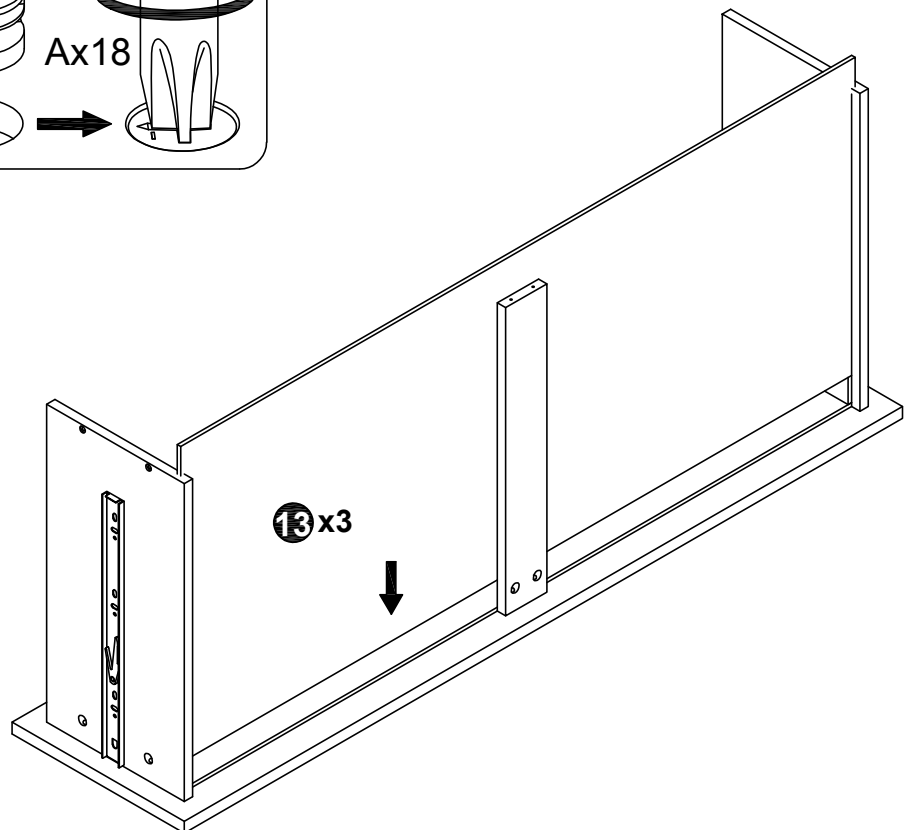
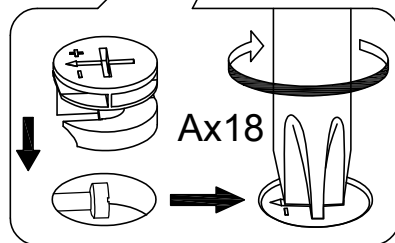


Dresser Laslo

STEP 6

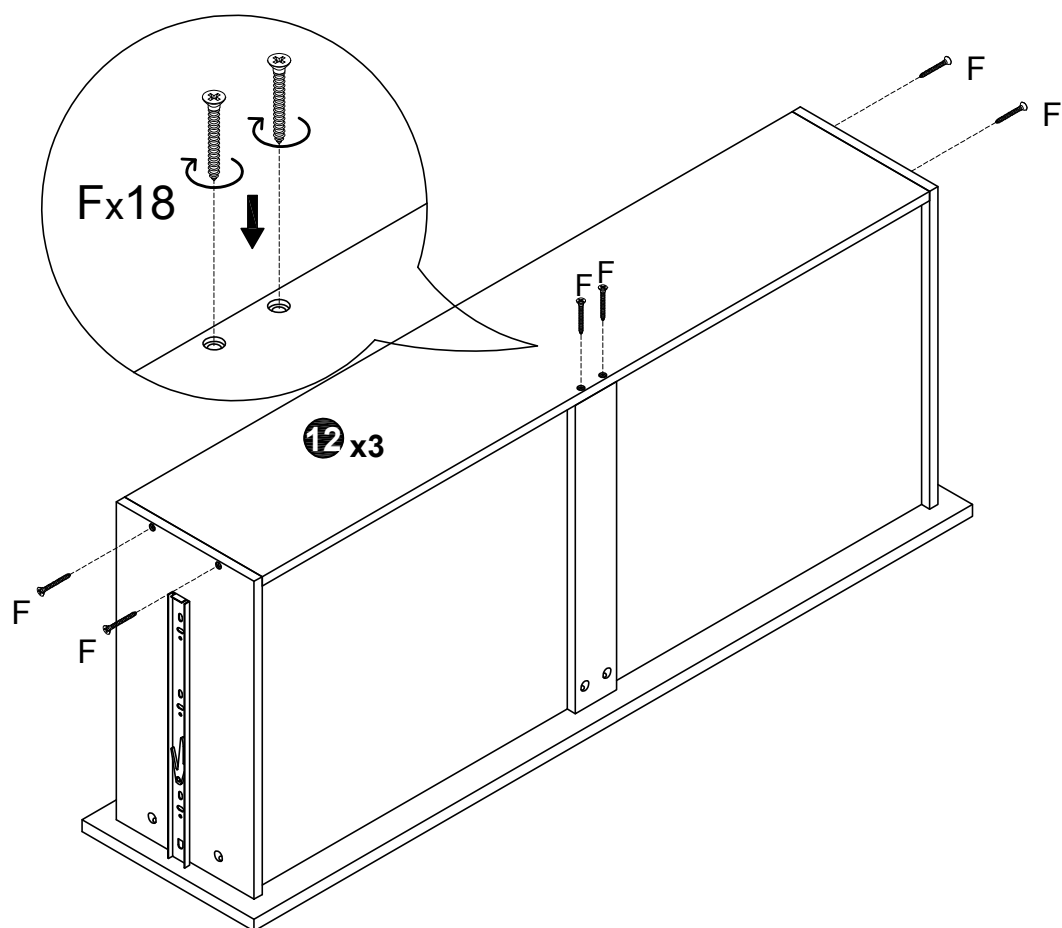


STEP 7



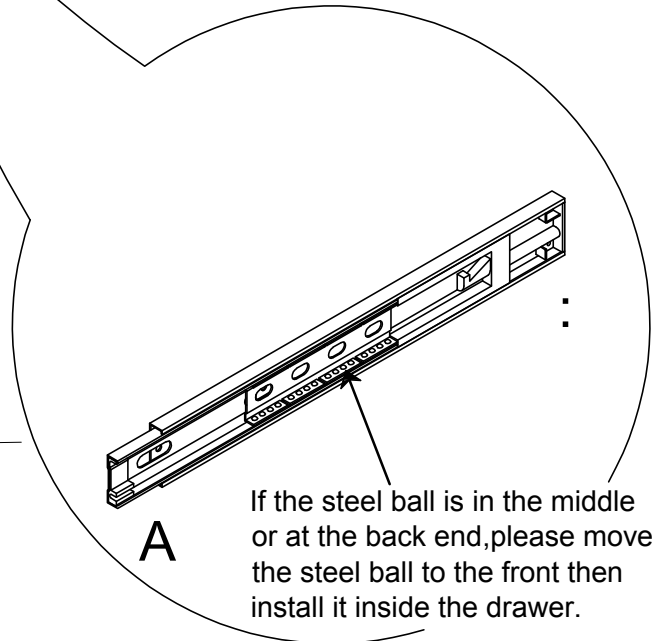
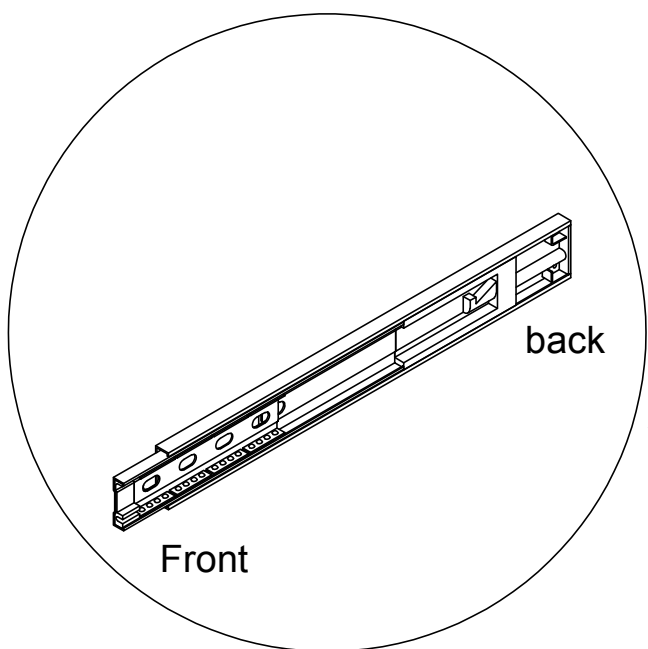
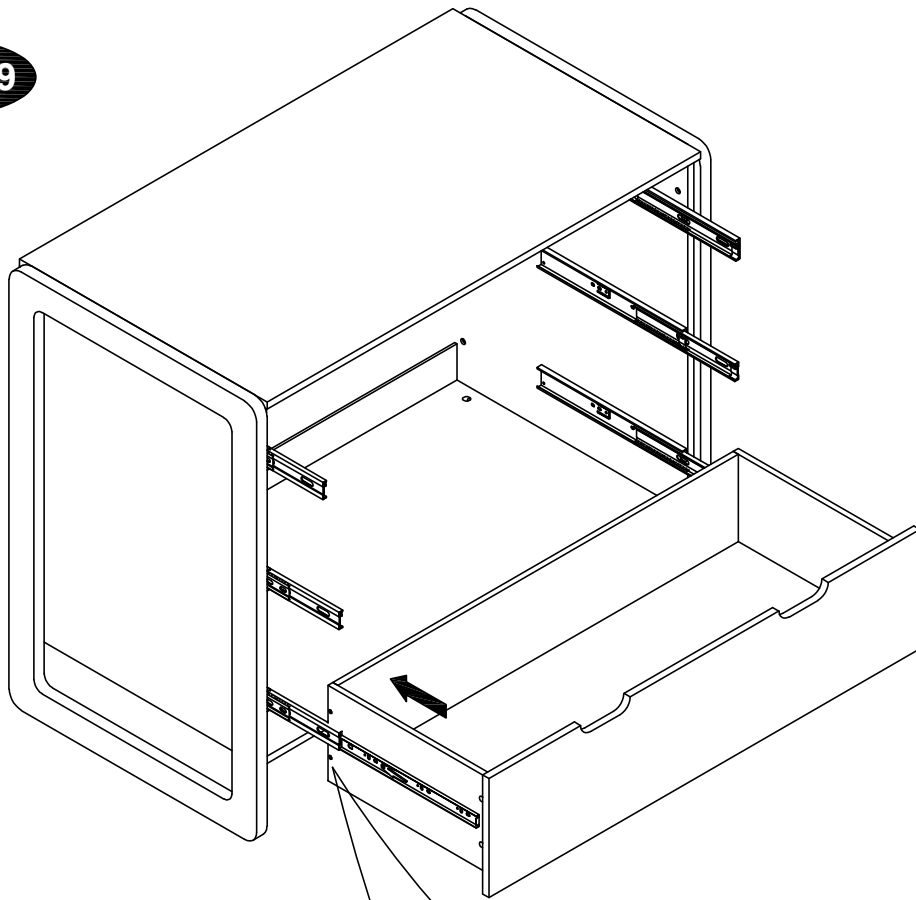
Dresser Laslo

STEP 8



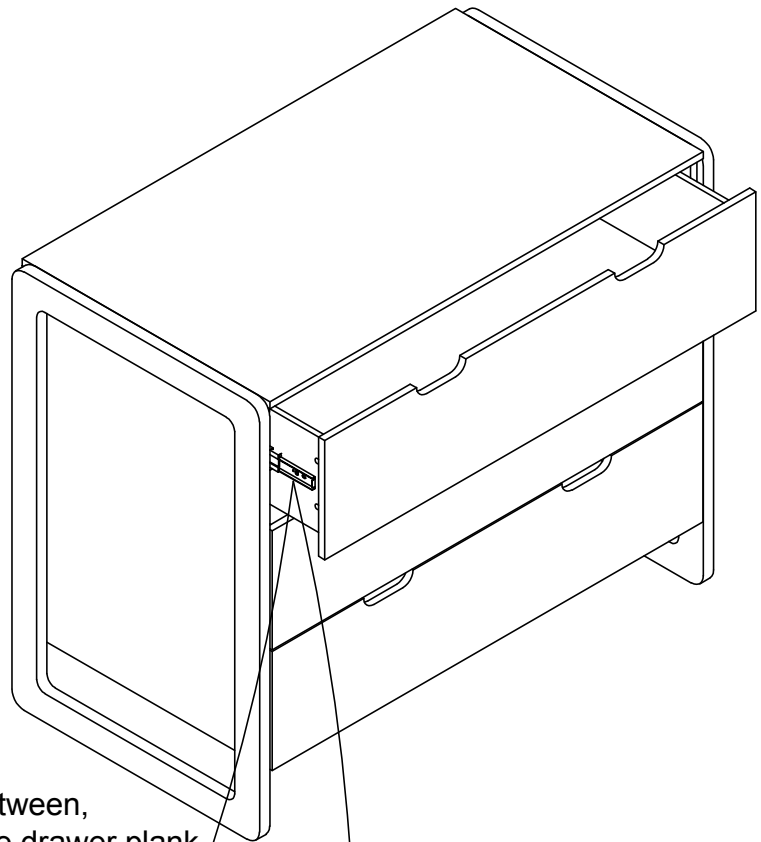
Dresser Laslo

STEP 9

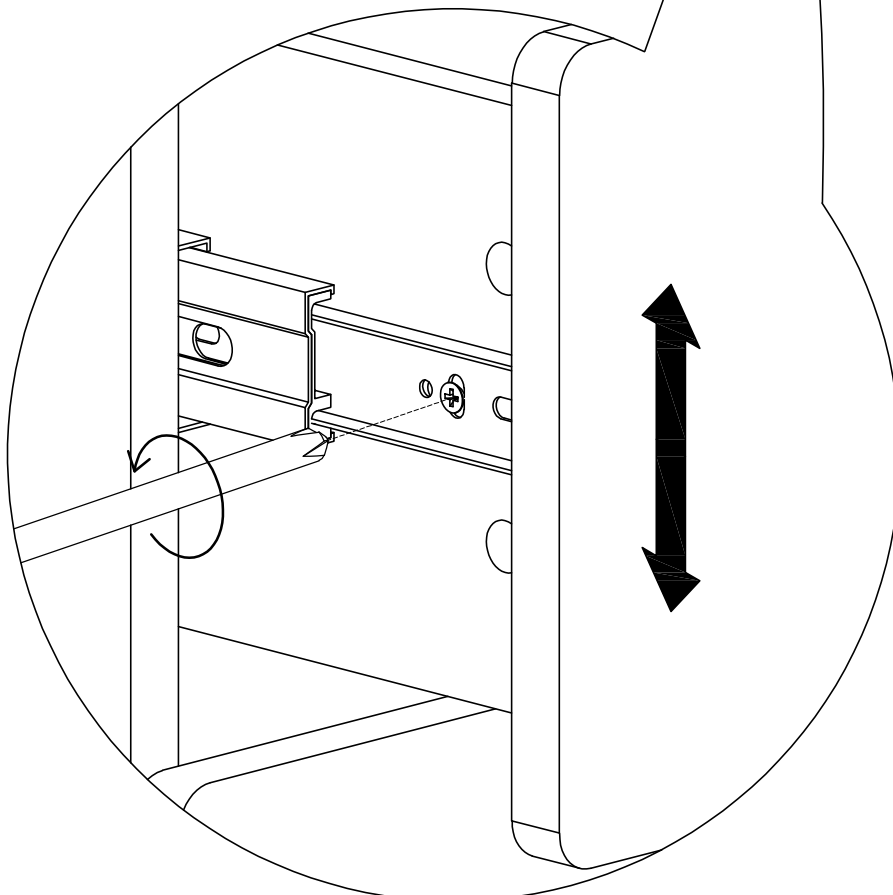


Dresser Laslo

STEP 10

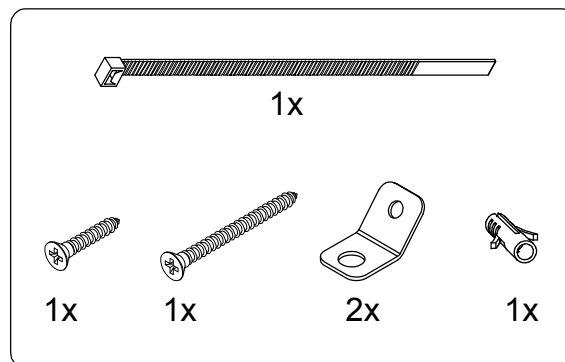
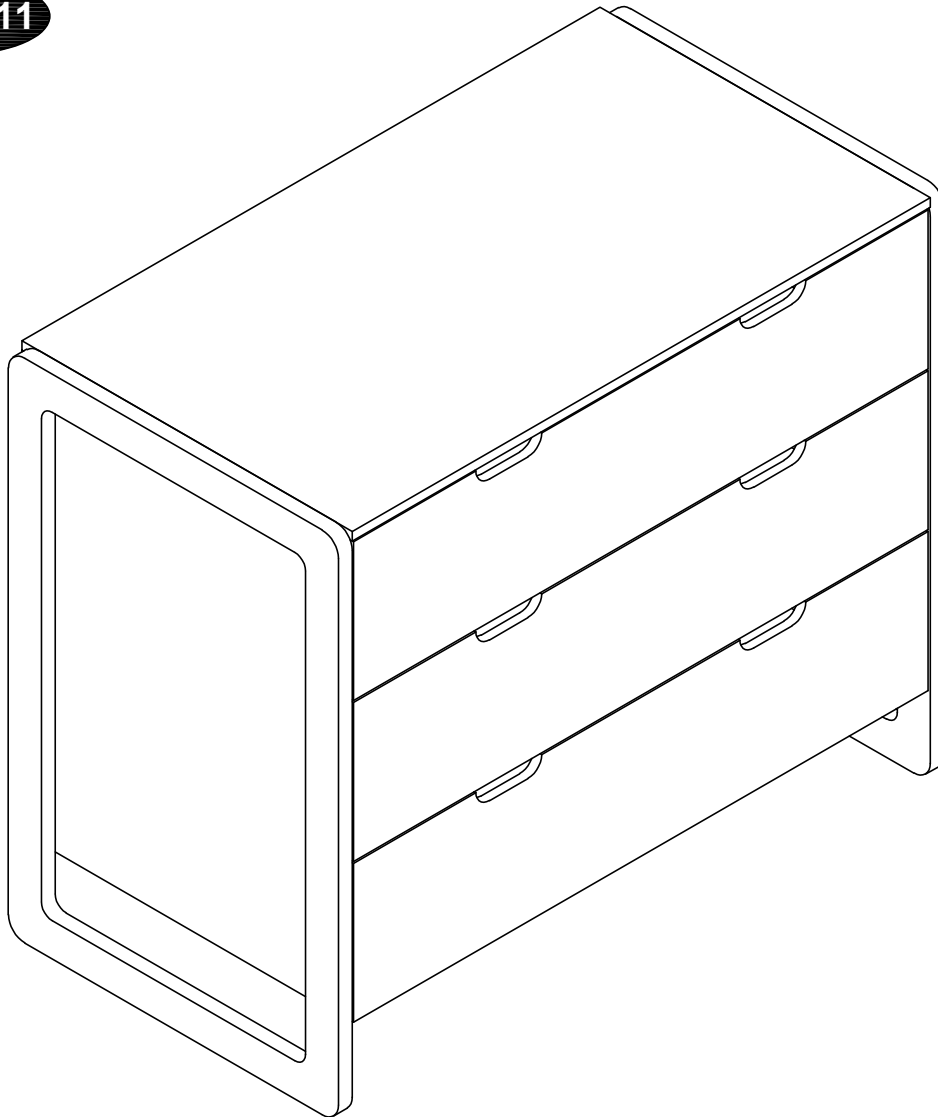


If the gap between the drawing plank is too small or there is a collision in between, please loosen the screw and adjust the drawer plank up or down:



Dresser Laslo

STEP 11



Safety tip: Please attach the chest to the wall using the hardware provided.