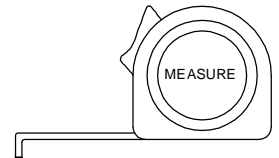
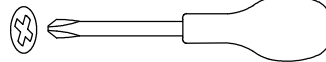
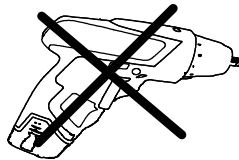


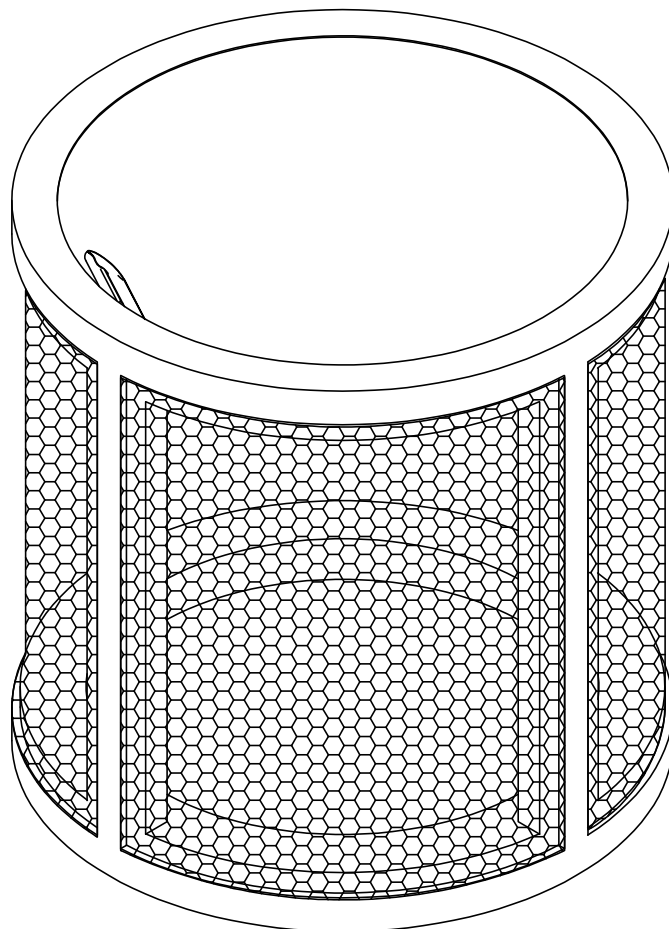
# Bahia seat basket



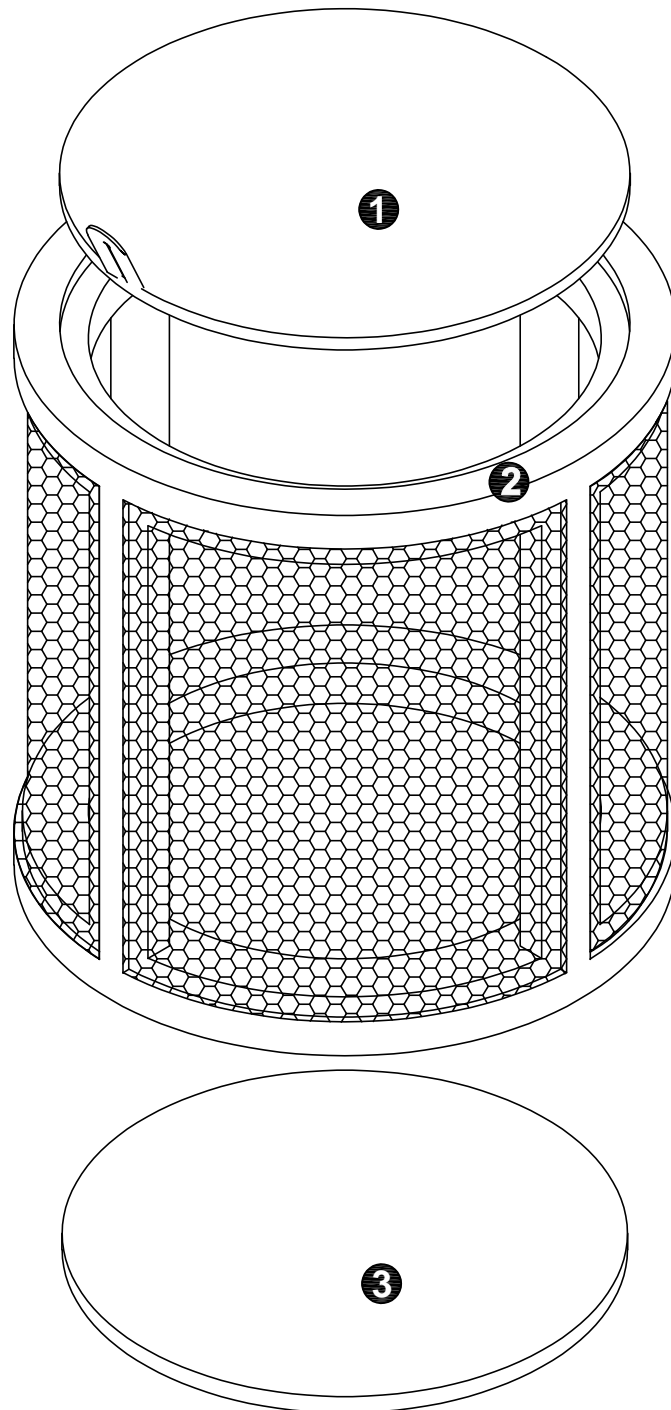
**REQUIRED ASSEMBLY TOOLS**



**ASSEMBLED DIMENSIONS**

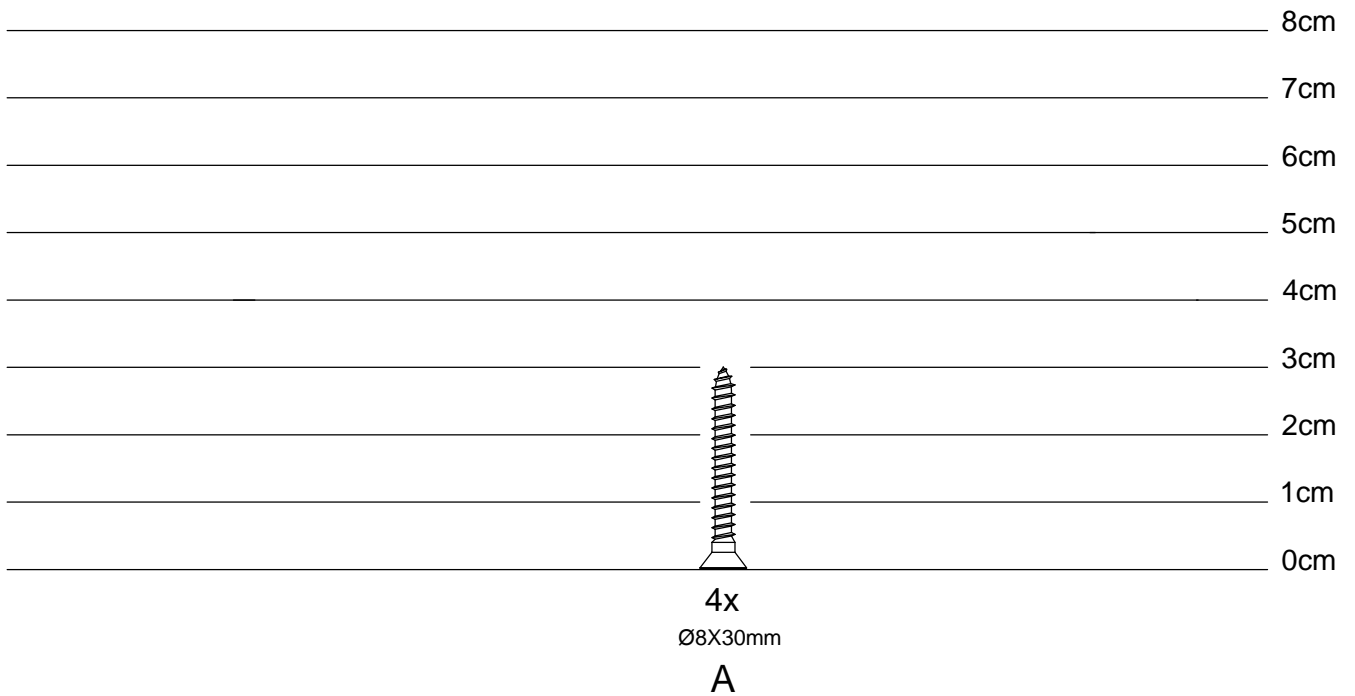


# Bahia seat basket

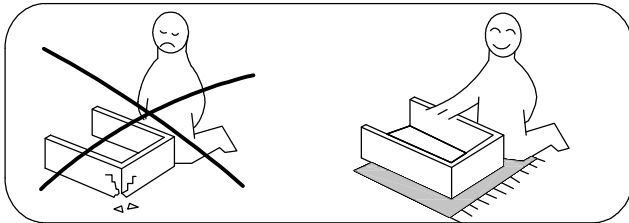
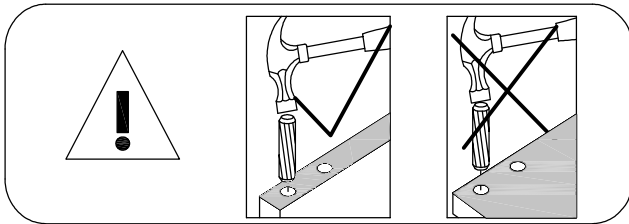
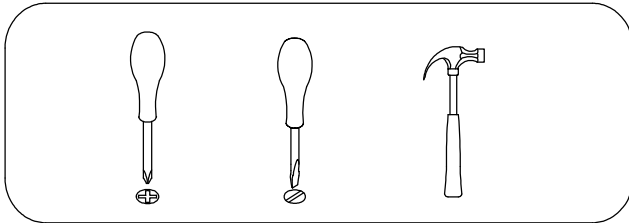


# Bahia seat basket

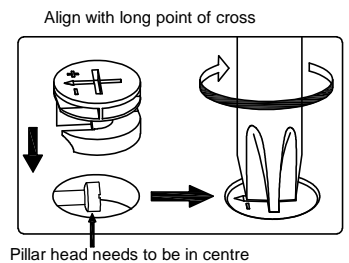
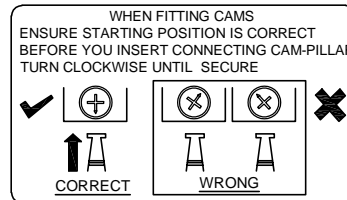
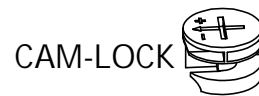
NO.	PARTS LIST	QTY	NO.	PARTS LIST	QTY
①	Lid	1	③	Bottom	1
②	Body	1			



# Bahia seat basket

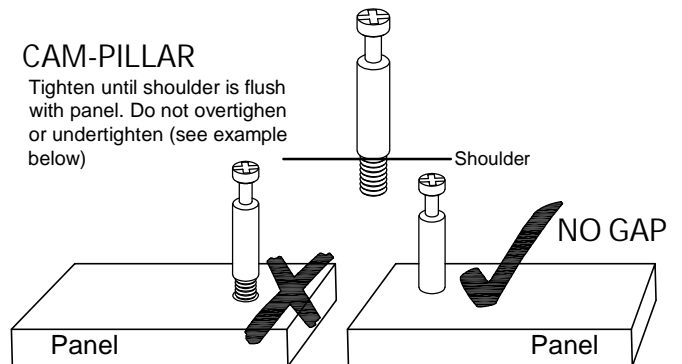


## TIPS FOR FITTING CAM-LOCKS AND CAM-PILLARS



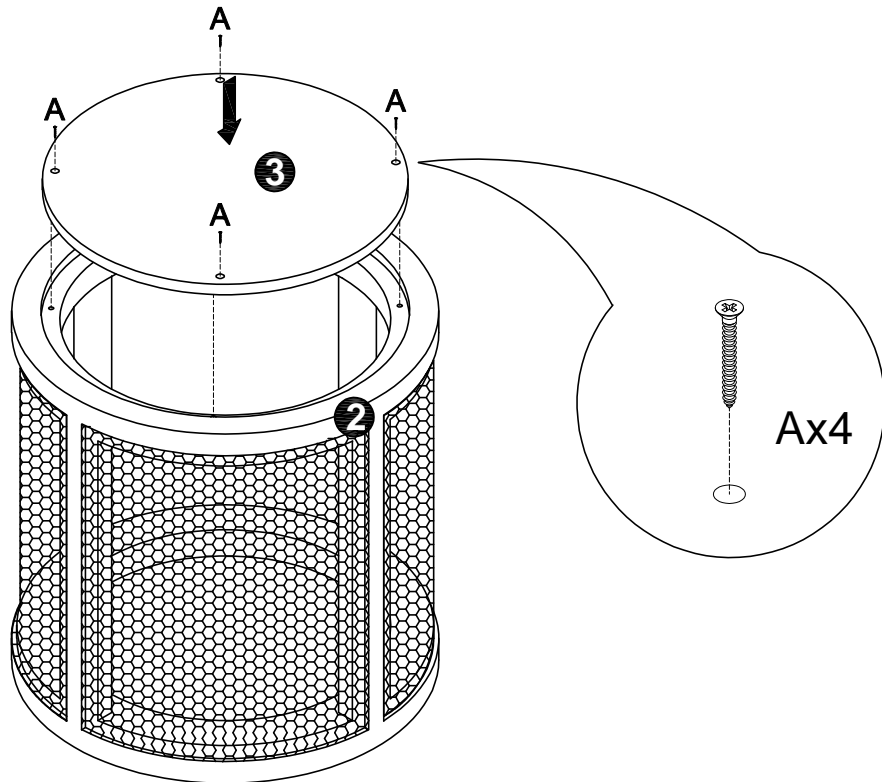
## CAM-PILLAR

Tighten until shoulder is flush with panel. Do not overtighten or undertighten (see example below)

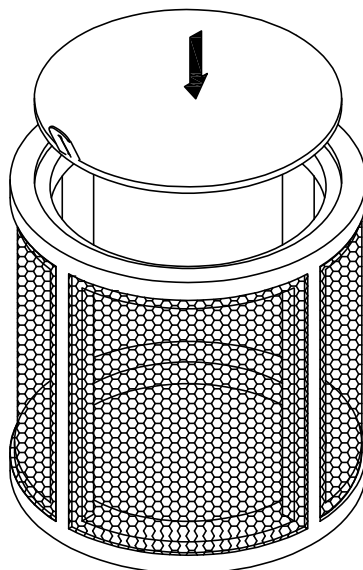


# Bahia seat basket

**STEP 1**



**STEP 2**



# Bahia seat basket

**STEP 3**

