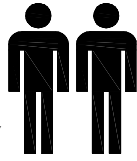
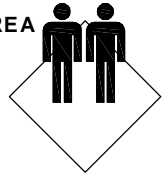


# 100285

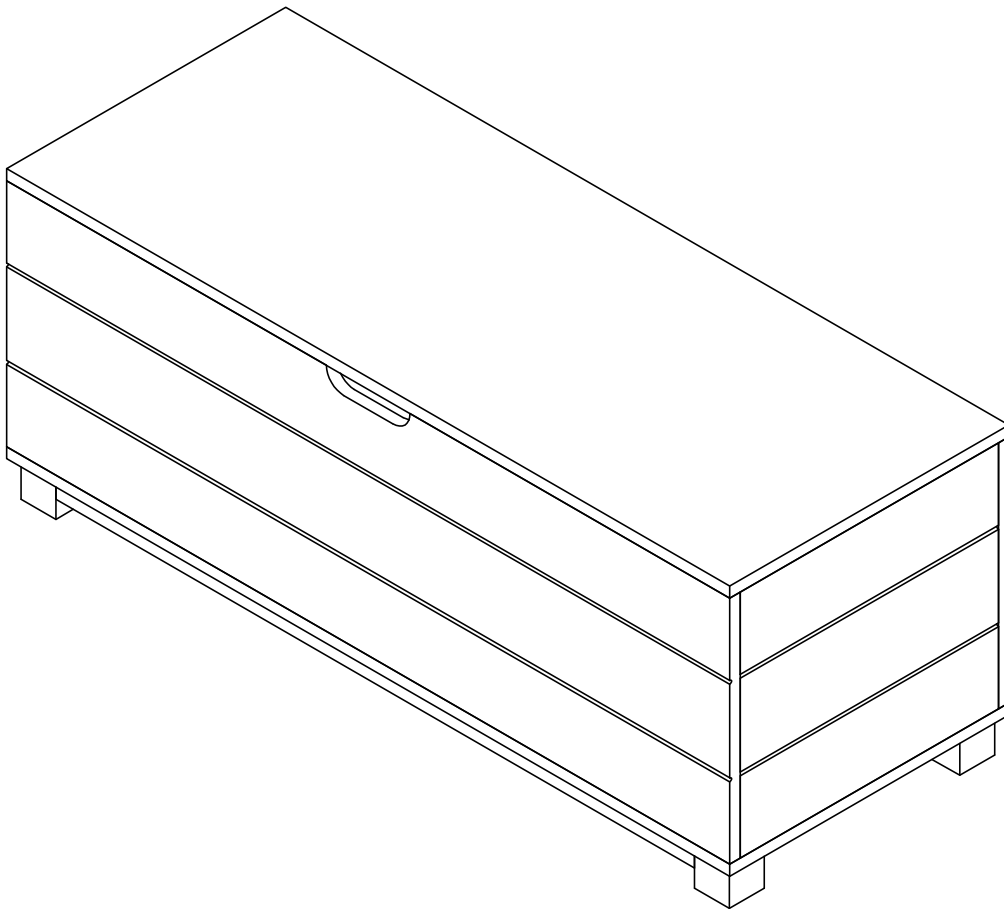
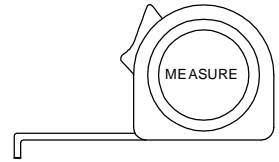
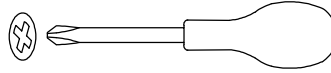
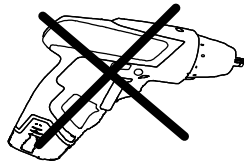
2 PERSON ASSEMBLY



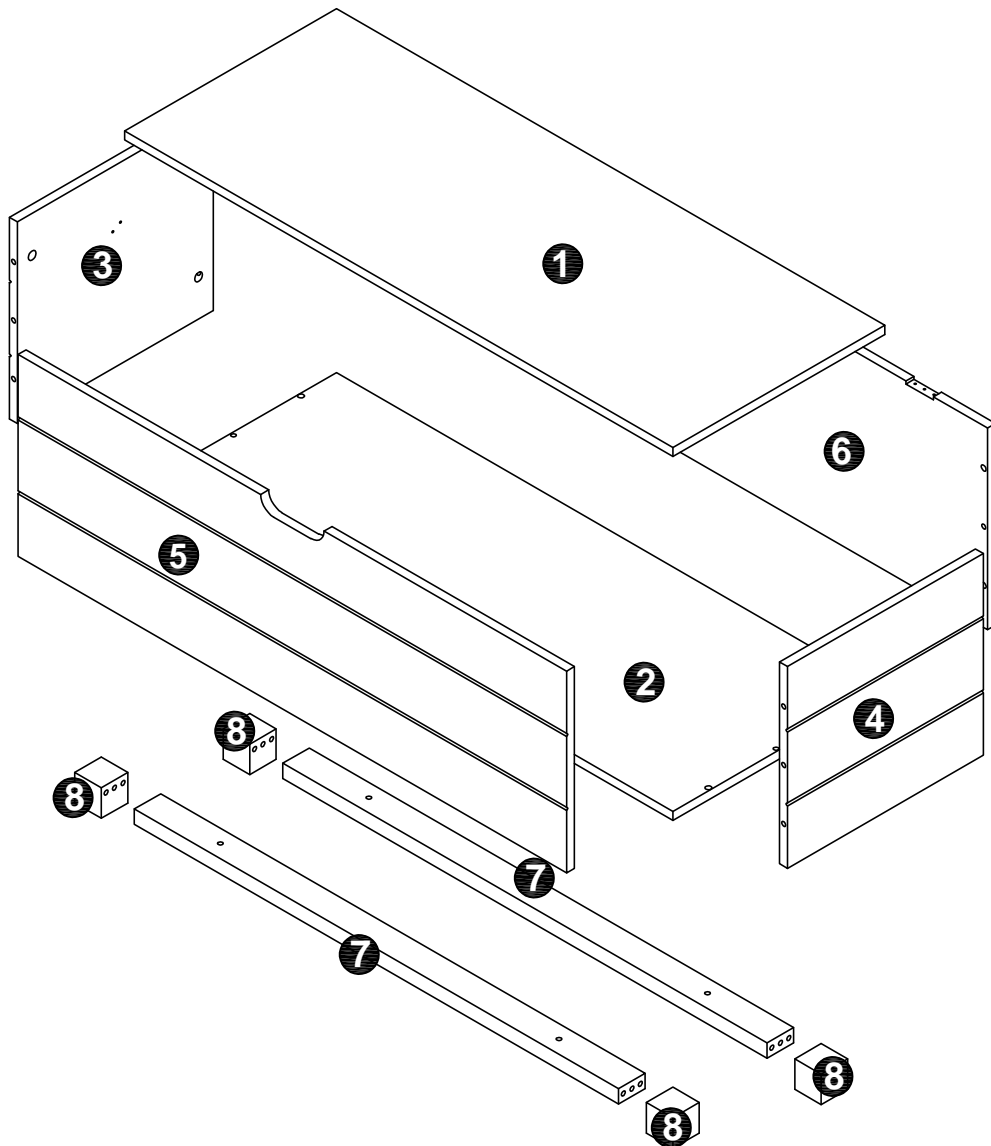
FLOOR AREA  
2.5M X 3M



REQUIRED ASSEMBLY TOOLS





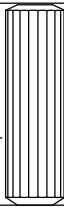

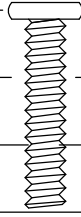

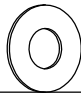
100285

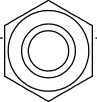


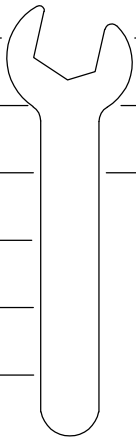
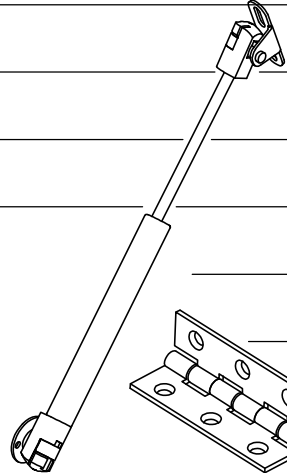
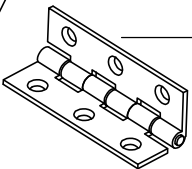
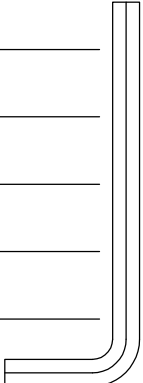


NO.	PARTS LIST	QTY	NO.	PARTS LIST	QTY
①	face panel	1	⑥	back panel	1
②	bottom panel	1	⑦	support panel	2
③	left side panel	1	⑧	foot	4
④	right side panel	1			
⑤	front panel	1			

100285

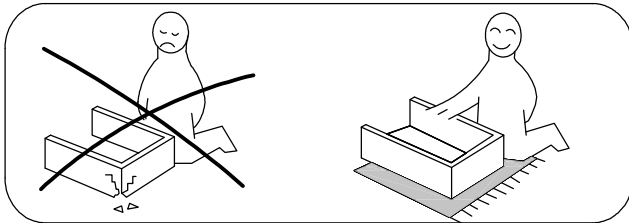
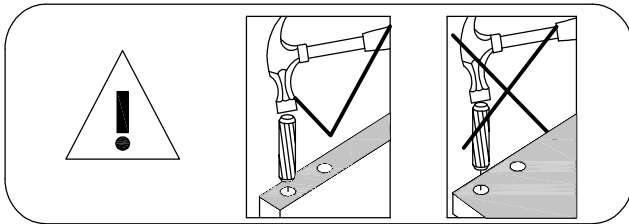
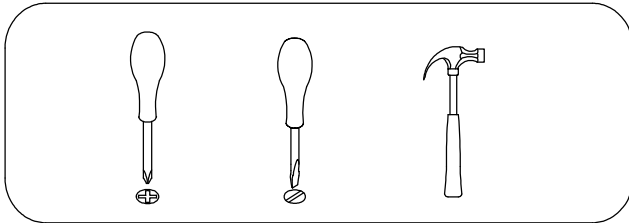
# HARDWARE LIST

							4cm 3cm 2cm 1cm 0cm
16x Ø15X10 <b>A</b>	16x M6X35 <b>B</b>	16x Ø8X30mm <b>C</b>	22x M3.5X12mm <b>D</b>	4x M6X30mm <b>E</b>	4x M6X1.3 <b>F</b>	4x M6X13 <b>G</b>	

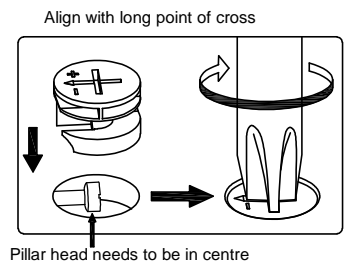
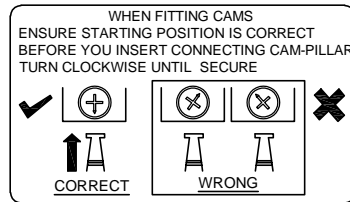

							8cm 7cm 6cm 5cm 4cm 3cm 2cm 1cm 0cm
4x M8 <b>H</b>	4x M8 <b>I</b>	4x M8X70mm <b>J</b>	1x 13# <b>K</b>	1x 13# <b>L</b>	1x 13# <b>M</b>	1x 4# <b>N</b>	

# 100285

## TIPS FOR FITTING CAM-LOCKS AND CAM-PILLARS

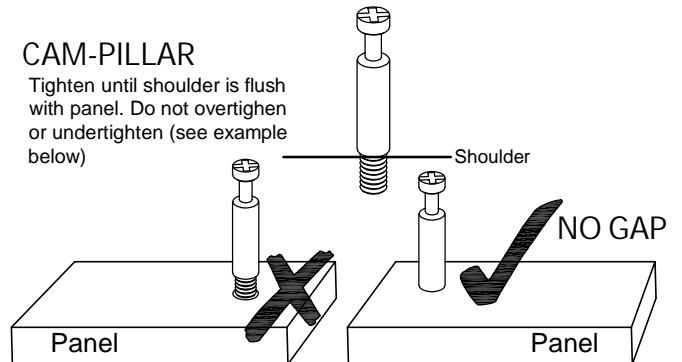


### CAM-LOCK



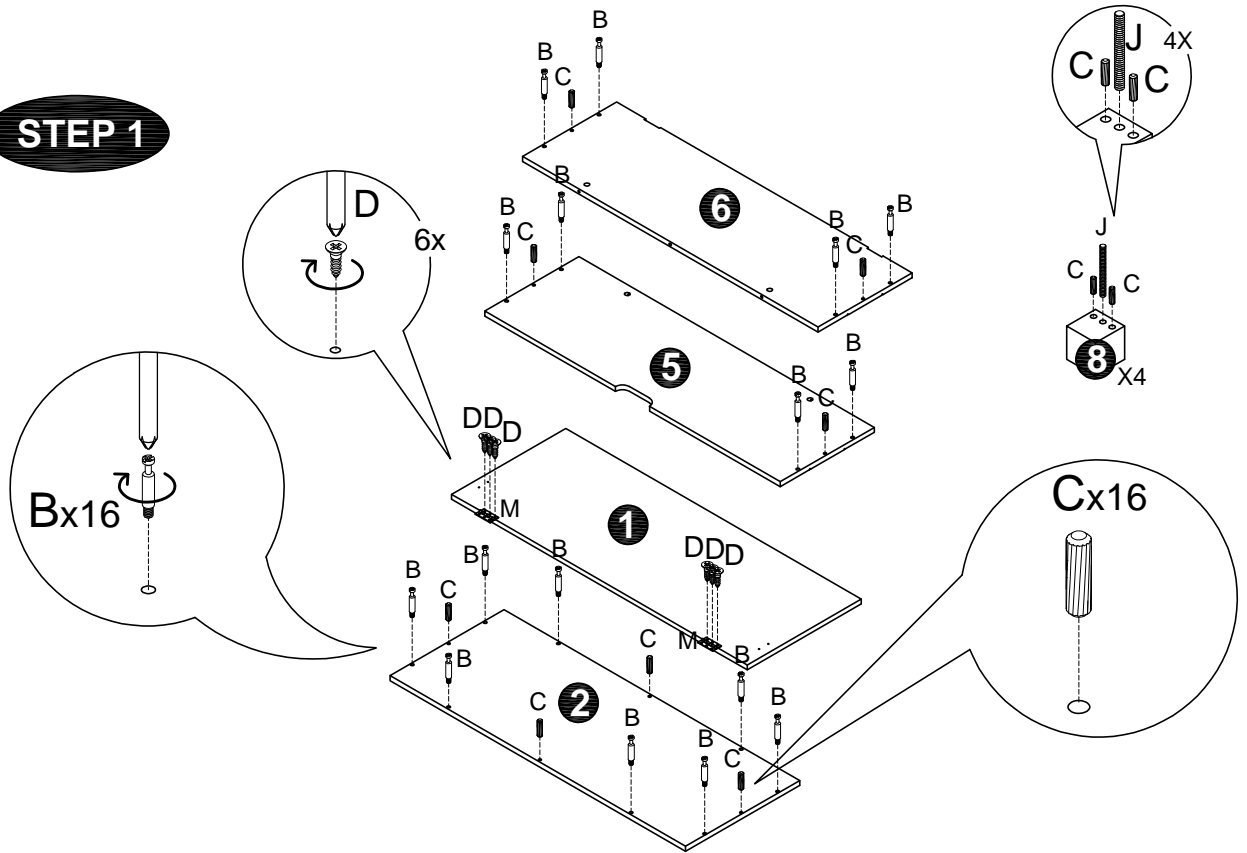
### CAM-PILLAR

Tighten until shoulder is flush with panel. Do not overtighten or undertighten (see example below)

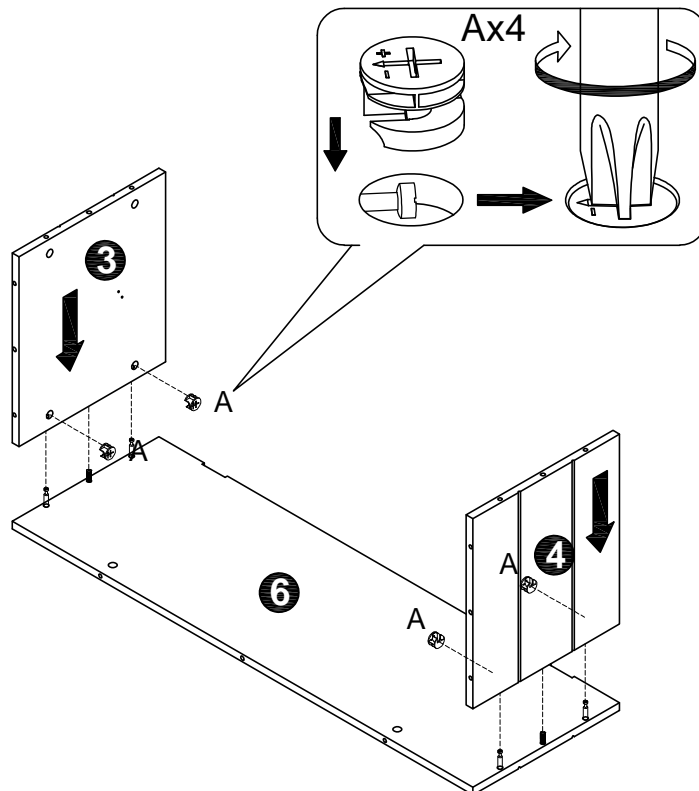


# 100285

## STEP 1

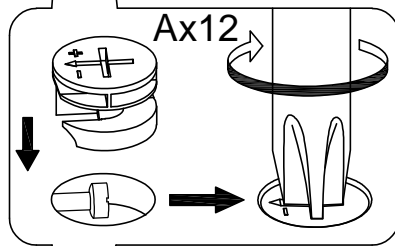
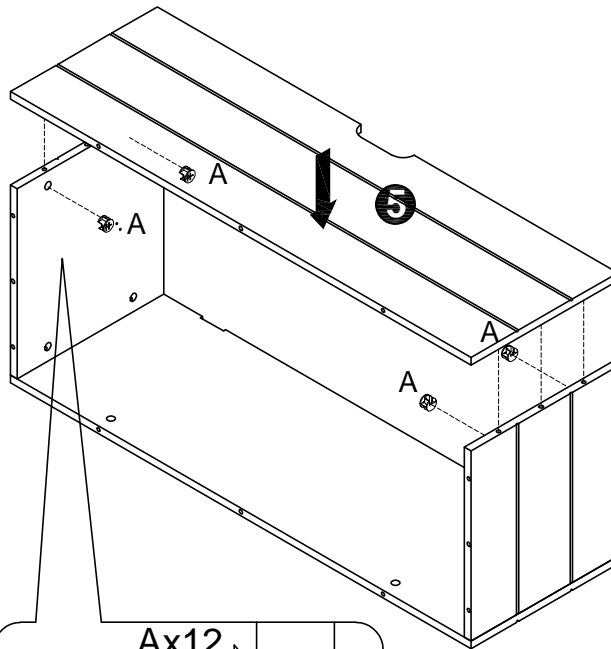


## STEP 2

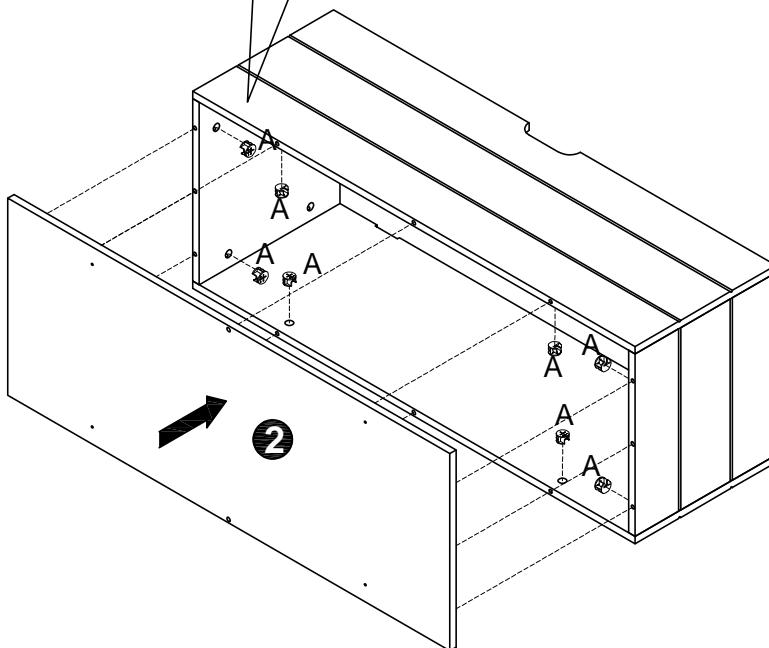


100285

**STEP 3**



**STEP 4**





100285

**STEP 7**

