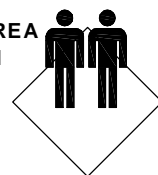


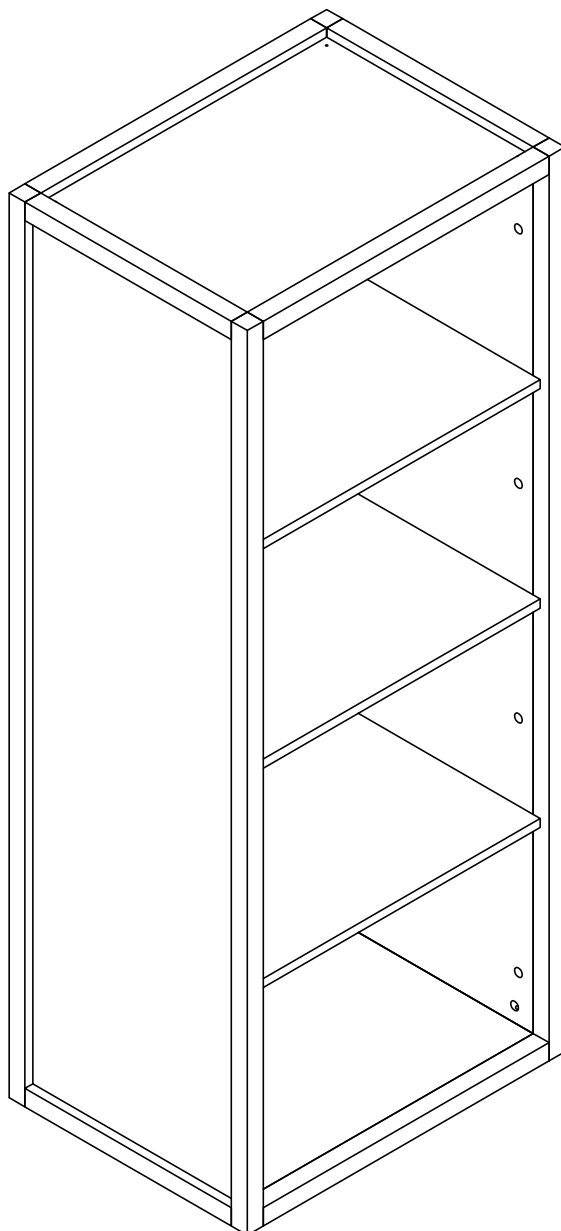
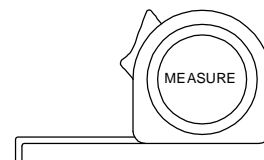
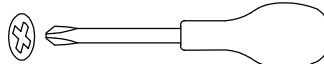
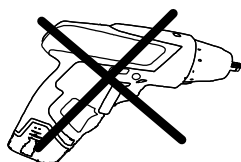
# bookshelf module Lia



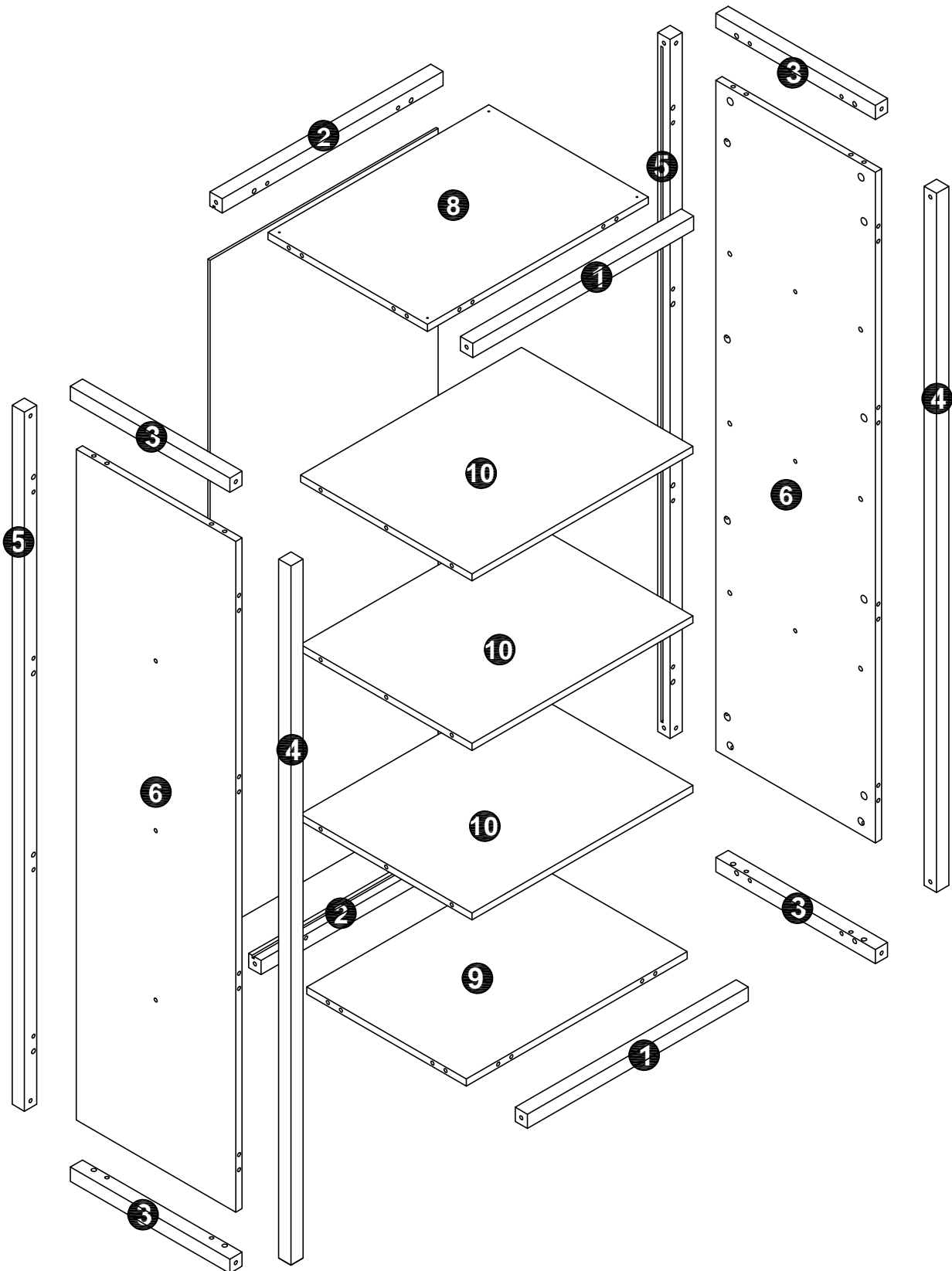
FLOOR AREA  
2.5M X 3M



REQUIRED ASSEMBLY TOOLS





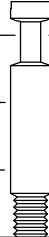
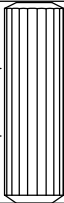

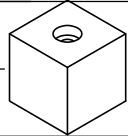
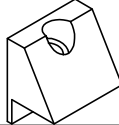
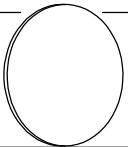
# bookshelf module Lia



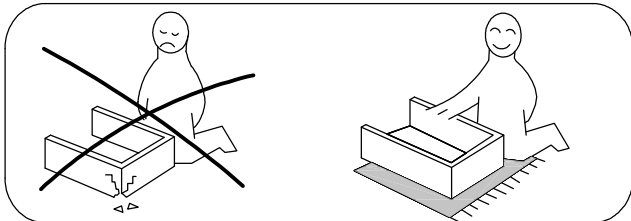
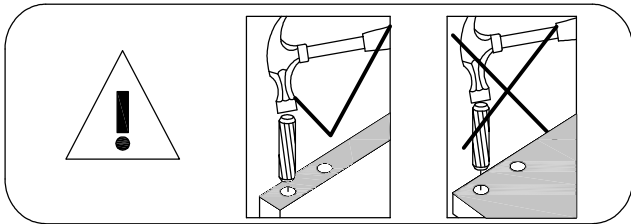
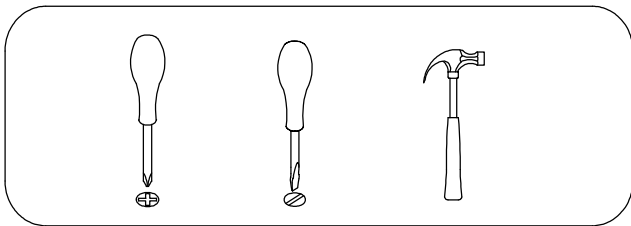
# bookshelf module Lia

NO.	PARTS LIST	QTY	NO.	PARTS LIST	QTY
①	front frame	2	⑥	side panel	2
②	back frame	2	⑦	back panel	1
③	side frame	4	⑧	face panel	1
④	front support frame	2	⑨	bottom panel	1
⑤	back support frame	2	⑩	middle panel	1

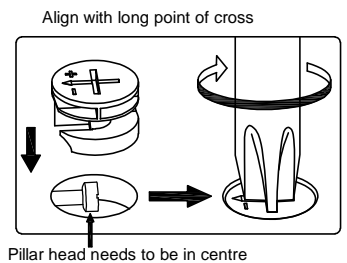
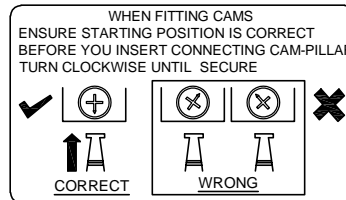
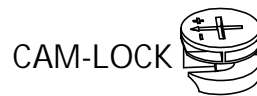
## HARDWARE LIST

								9cm
								8cm
								7cm
								6cm
								5cm
								4cm
								3cm
								2cm
								1cm
								0cm
								
4x M8X30mm A	52x Ø15X10 B	52x M6X35 C	62x Ø8X30mm D	6x M3.5X20mm E	4x 28X28X28mm F	6x G	52x Ø21 H	

# Bookshelf module Lia

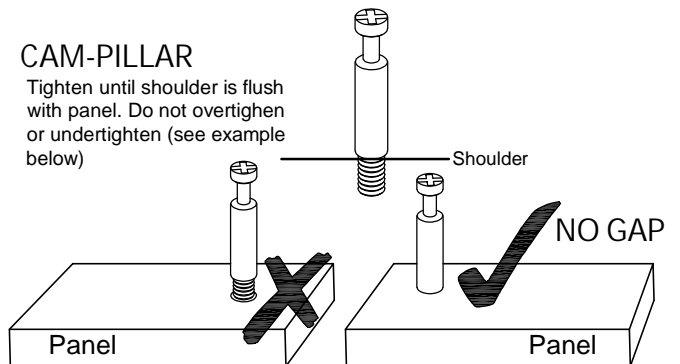


## TIPS FOR FITTING CAM-LOCKS AND CAM-PILLARS



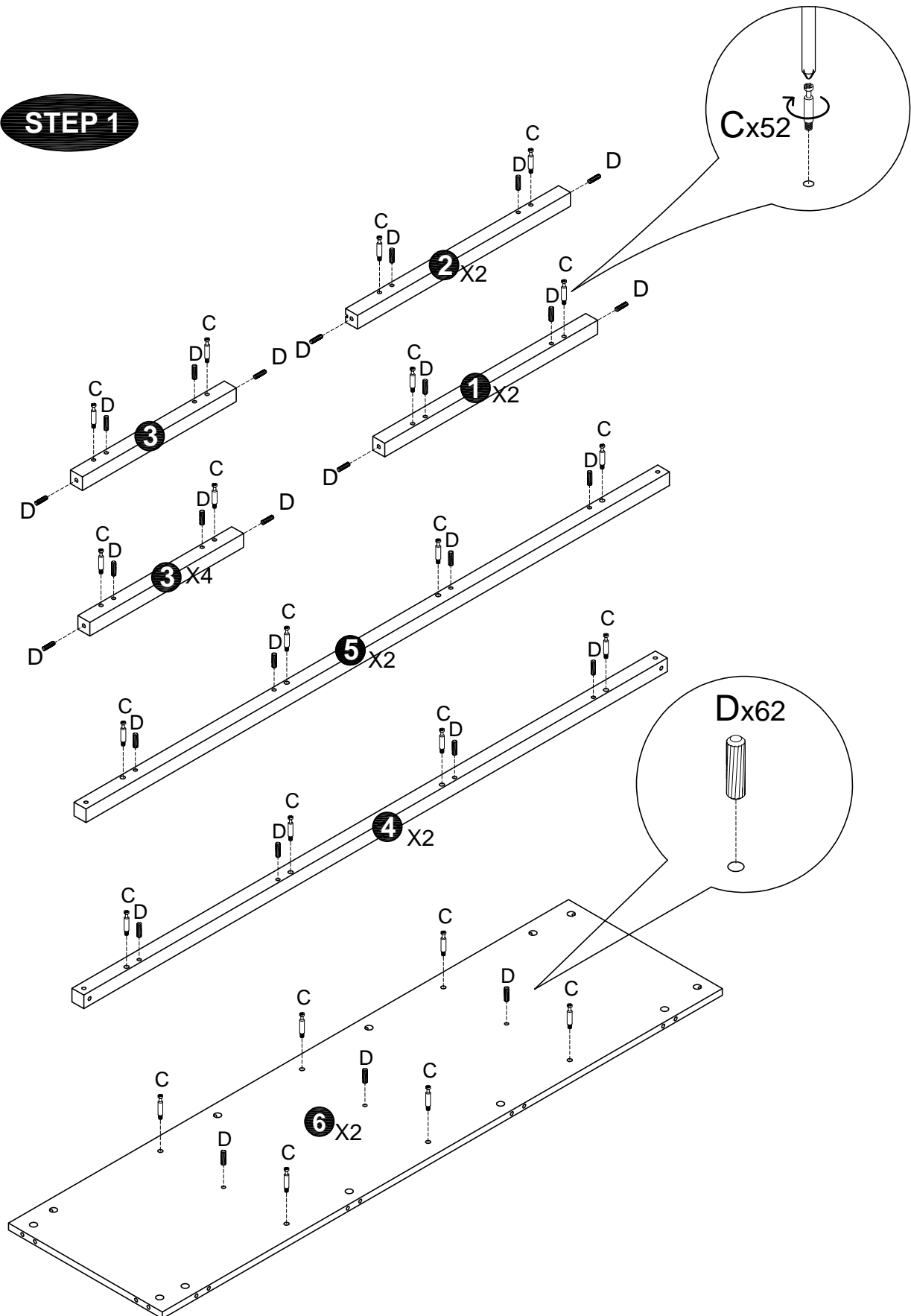
## CAM-PILLAR

Tighten until shoulder is flush with panel. Do not overtighten or undertighten (see example below)



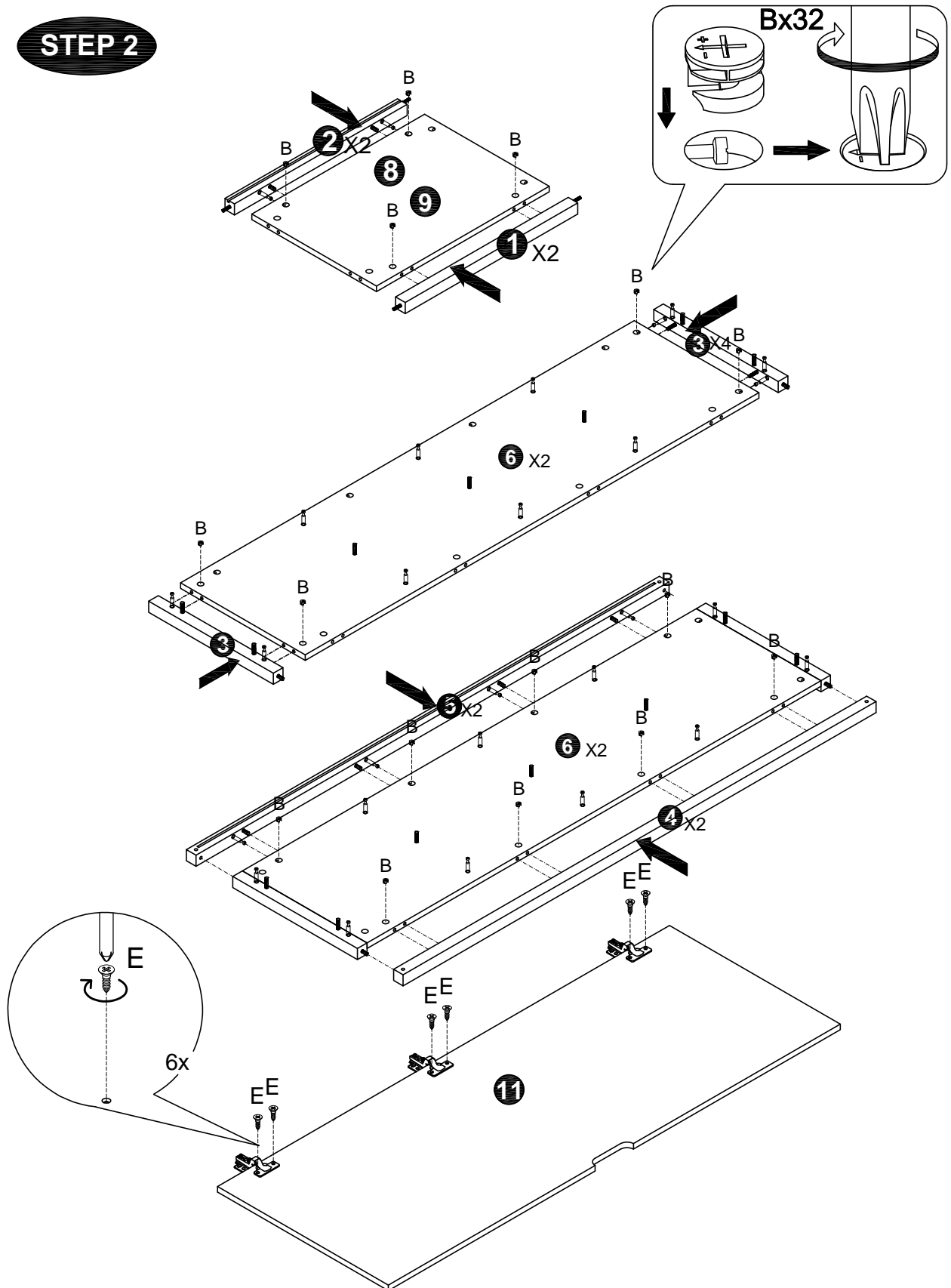
# Bookshelf module Lia

**STEP 1**



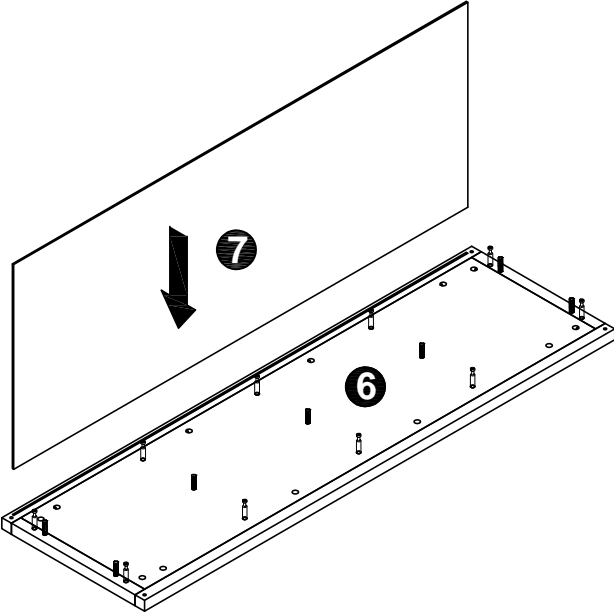
# Bookshelf module Lia

**STEP 2**

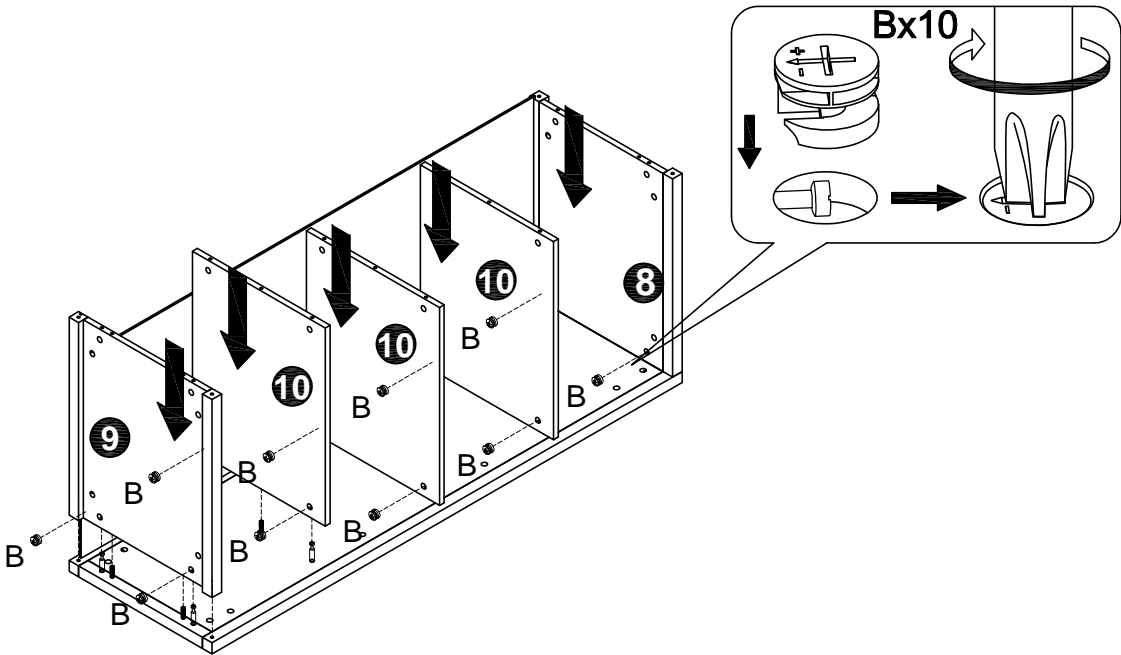


# Bookshelf module Lia

## STEP 3

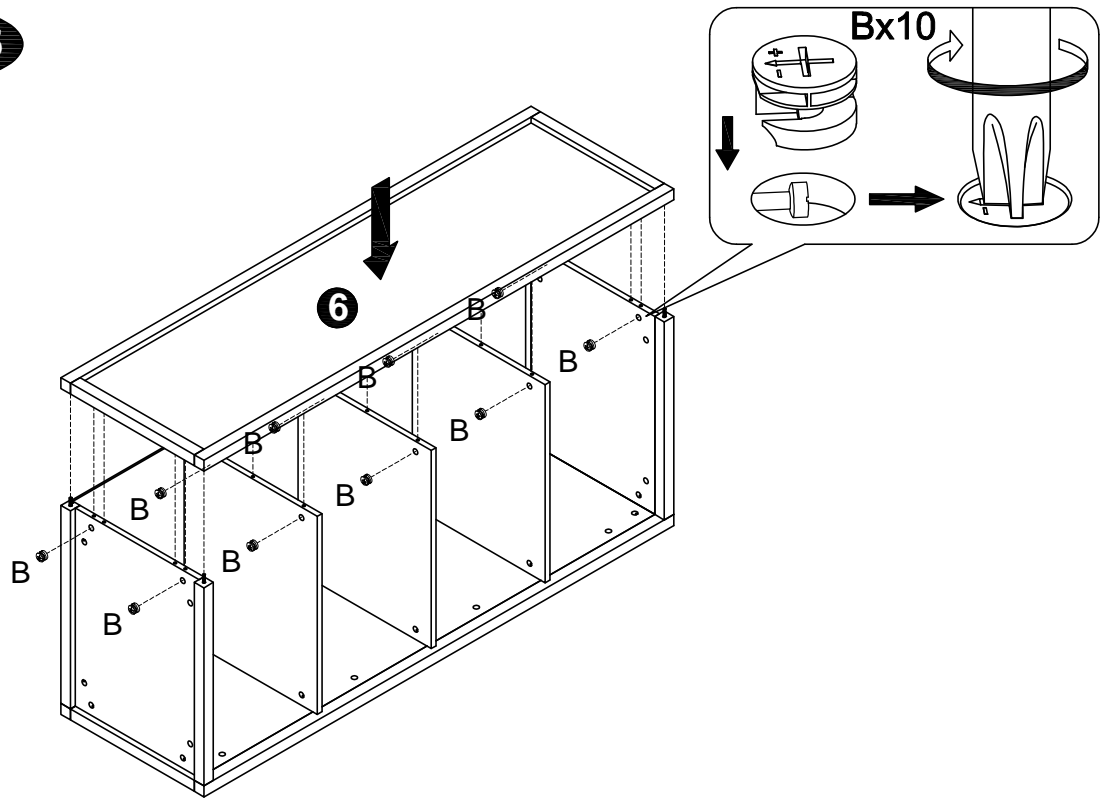


## STEP 4

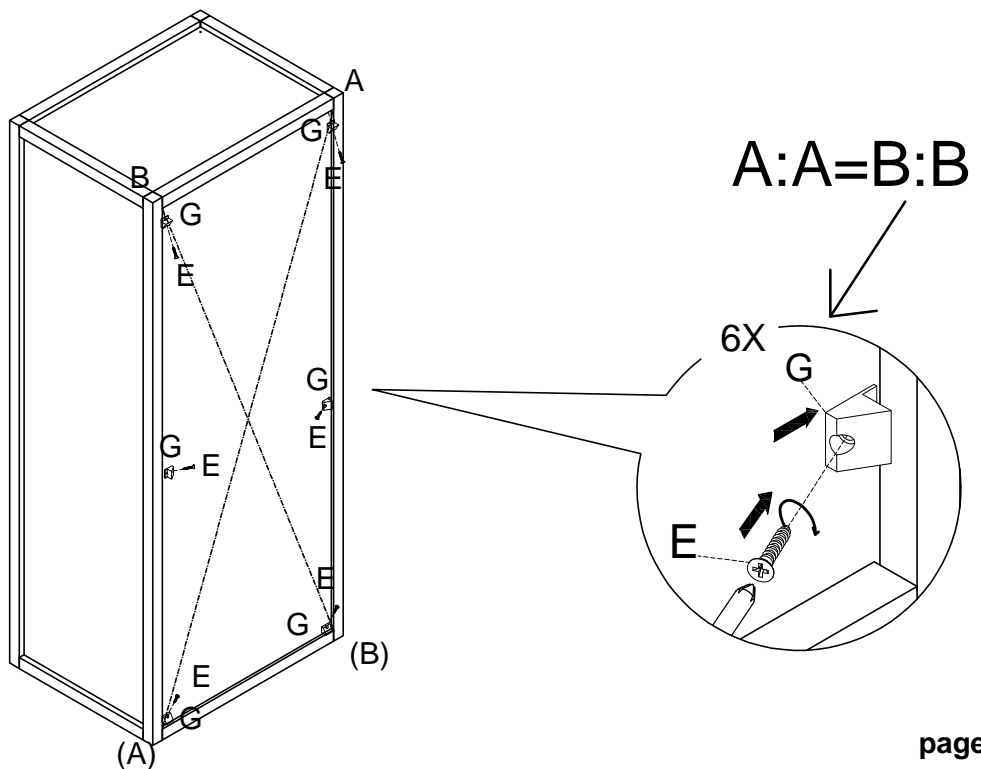


# Bookshelf module Lia

## STEP 5



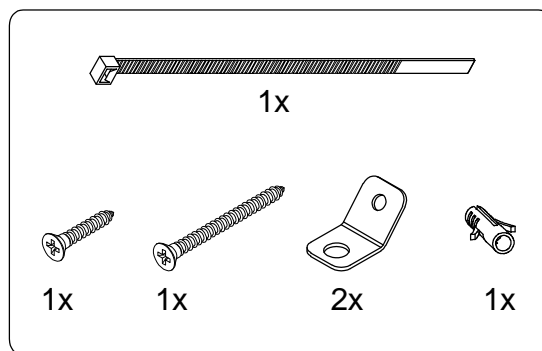
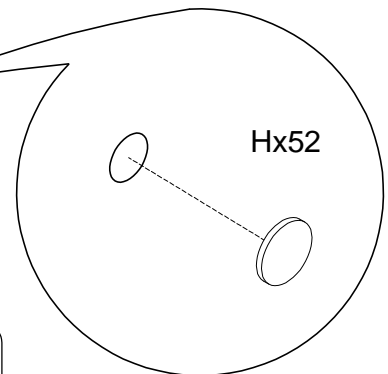
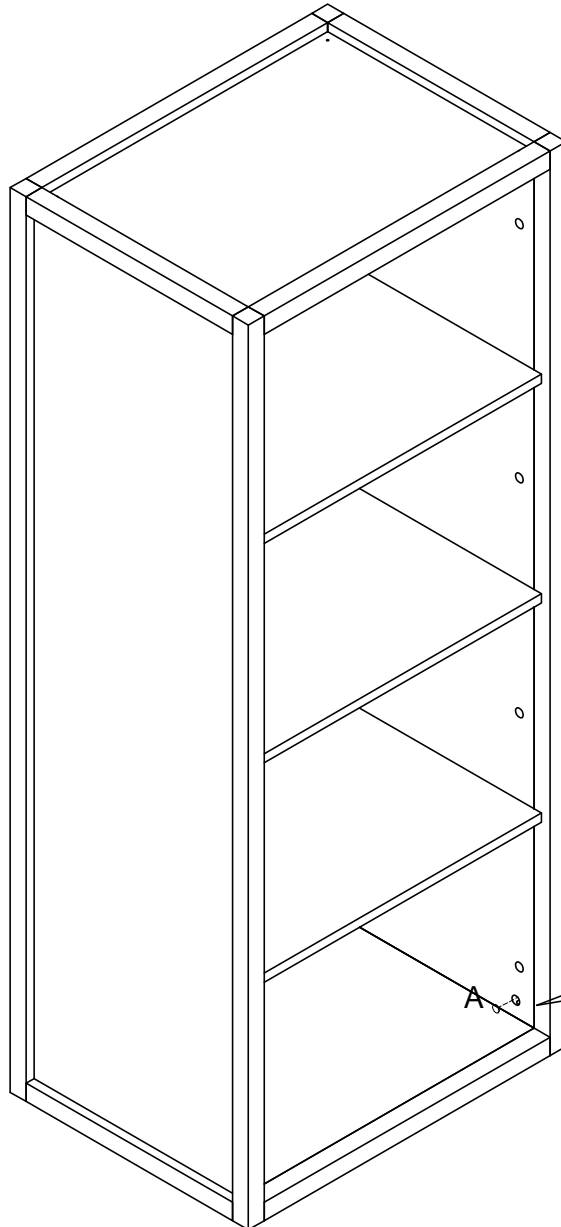
## STEP 6





# Bookshelf module Lia

**STEP 7**



**Safety tip:** Please attach the chest to the wall using the hardware provided.