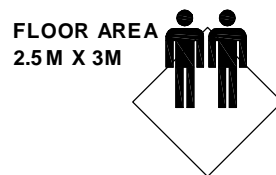
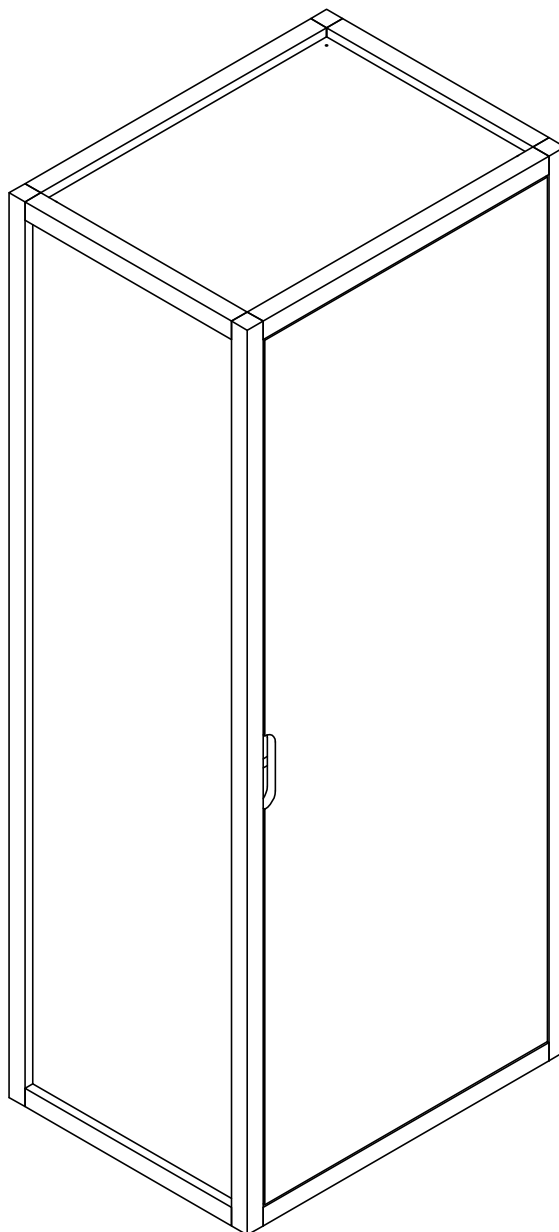
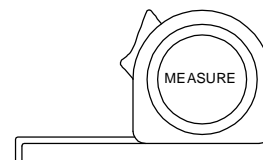
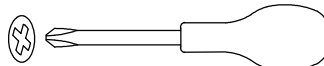
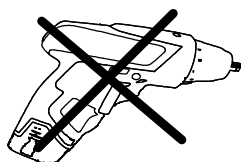


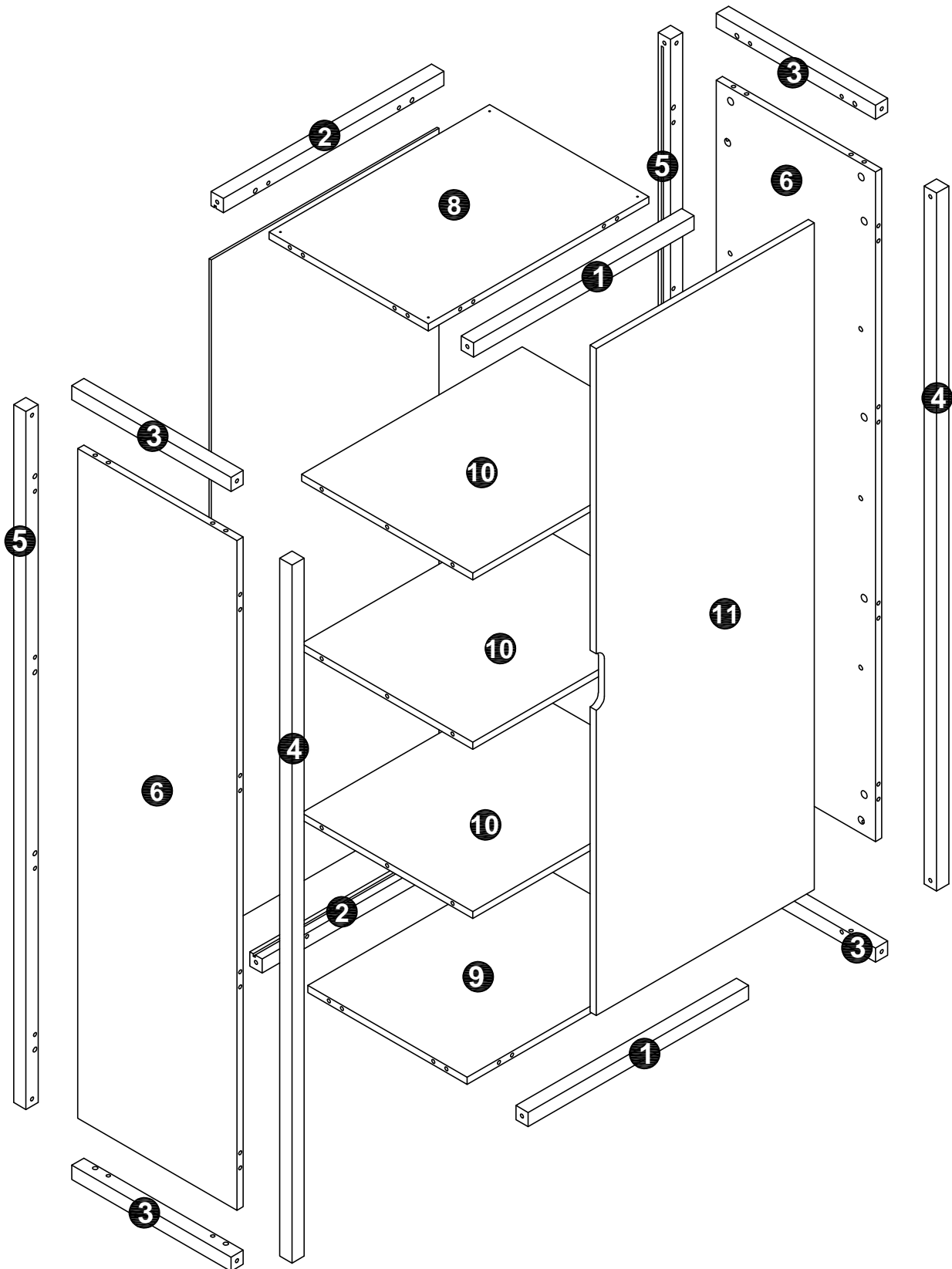
Tall wardrobe module Lia



REQUIRED ASSEMBLY TOOLS



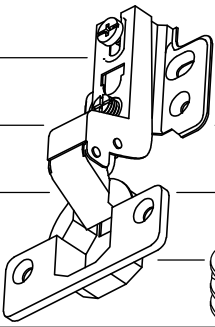


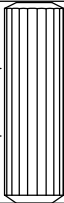

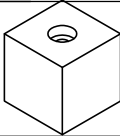

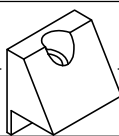

Tall wardrobe module Lia



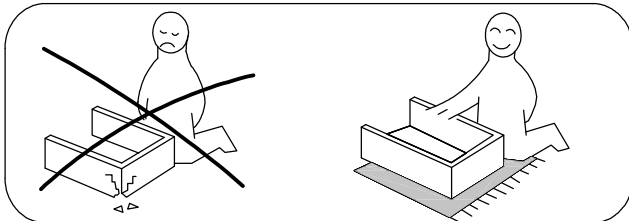
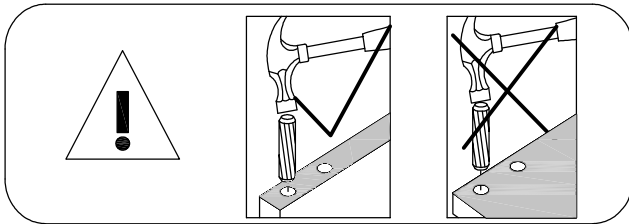
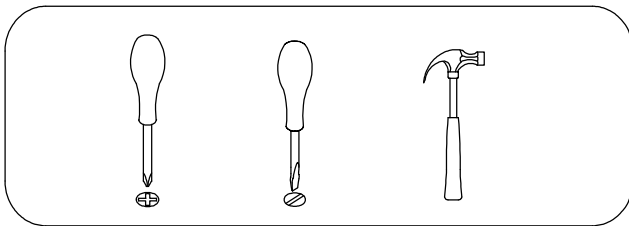
Tall wardrobe module Lia

| NO. | PARTS LIST | QTY | NO. | PARTS LIST | QTY |
|-----|---------------------|-----|-----|--------------|-----|
| ① | front frame | 2 | ⑥ | side panel | 2 |
| ② | back frame | 2 | ⑦ | back panel | 1 |
| ③ | side frame | 4 | ⑧ | face panel | 1 |
| ④ | front support frame | 2 | ⑨ | bottom panel | 1 |
| ⑤ | back support frame | 2 | ⑩ | middle panel | 1 |
| | | | ⑪ | door | 1 |

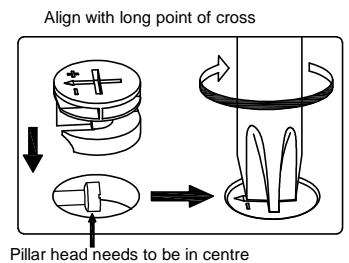
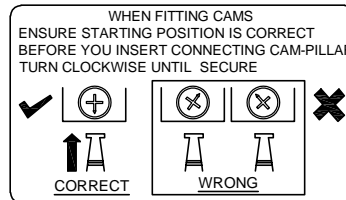
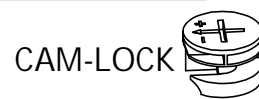
HARDWARE LIST

| | | | | | | | | | |
|---|---|---|---|---|--|---|---|---|-----|
| | | | | | | | | | 9cm |
| | | | | | | | | | 8cm |
| | | | | | | | | | 7cm |
| | | | | | | | | | 6cm |
| | | | | | | | | | 5cm |
| | | | | | | | | | 4cm |
| | | | | | | | | | 3cm |
| | | | | | | | | | 2cm |
| | | | | | | | | | 1cm |
| | | | | | | | | | 0cm |
|  |  |  |  |  |  |  |  |  | |
| 3x | 52x Ø15X10 | 52x M6X35 | 62x Ø8X30mm | 18x M3.5X16mm | 4x 28X28X28mm | 4x M8X30mm | 6x | 6x M3.5X20mm | |
| A | B | C | D | E | F | G | H | I | |

Tall wardrobe module Lia

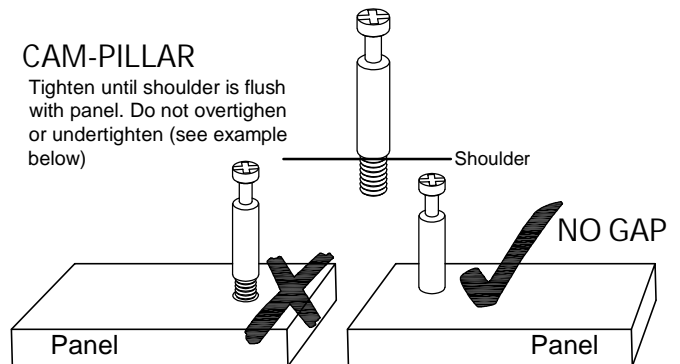


TIPS FOR FITTING CAM-LOCKS AND CAM-PILLARS



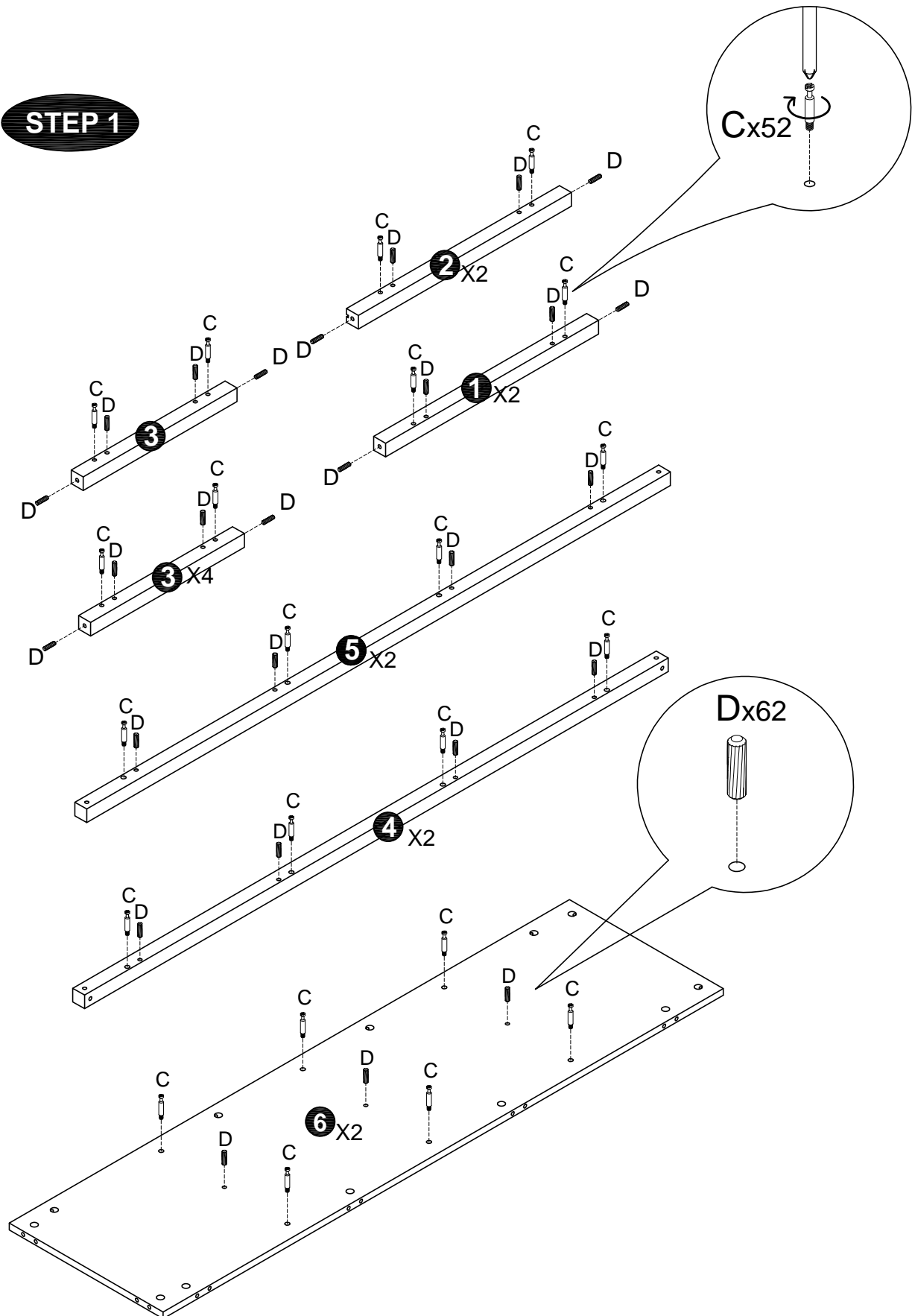
CAM-PILLAR

Tighten until shoulder is flush with panel. Do not overtighten or undertighten (see example below)



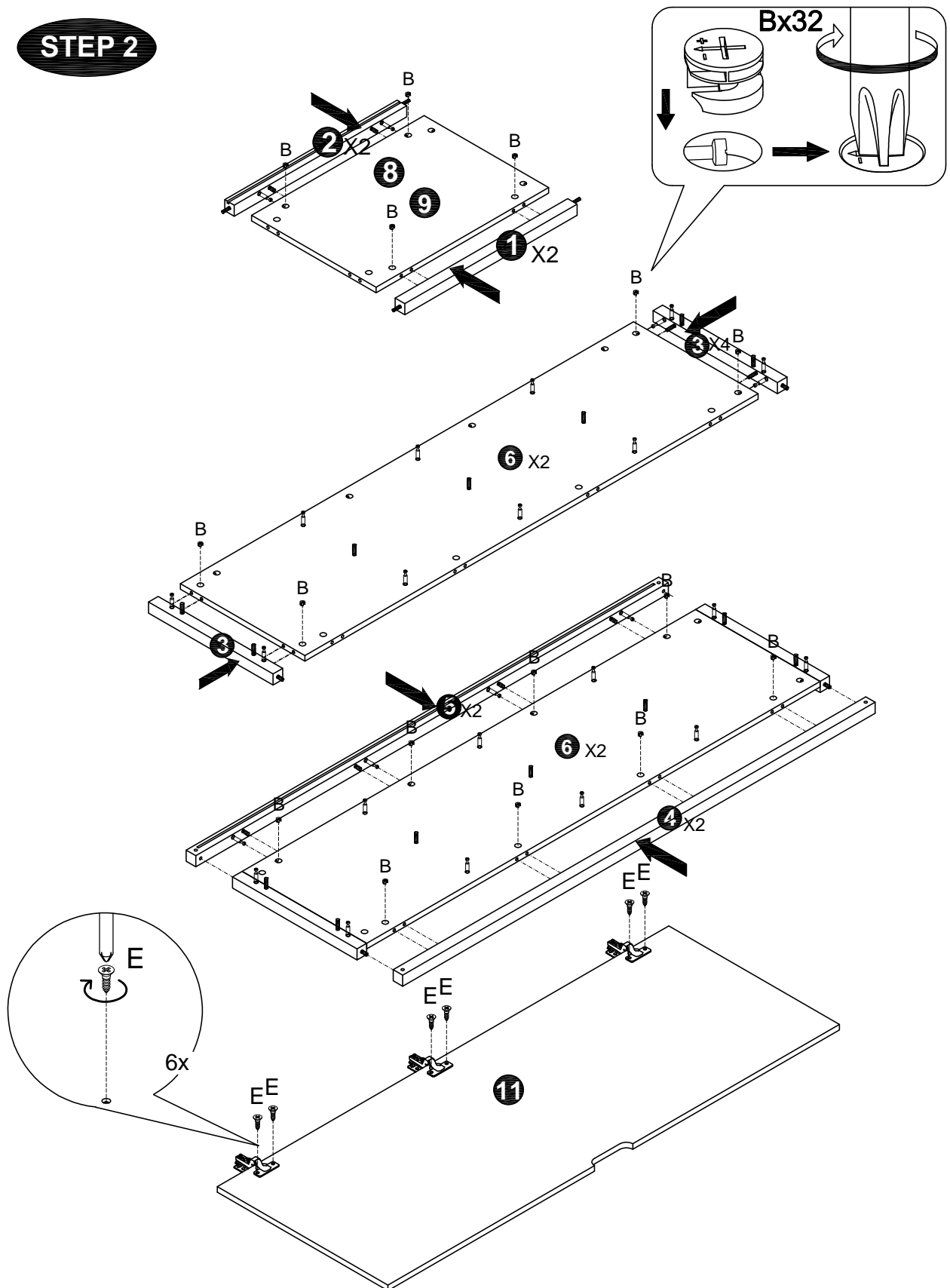
Tall wardrobe module Lia

STEP 1



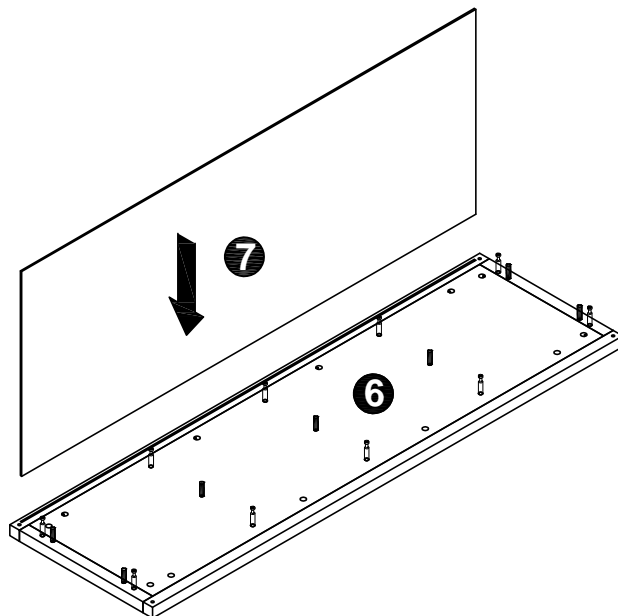
Tall wardrobe module Lia

STEP 2

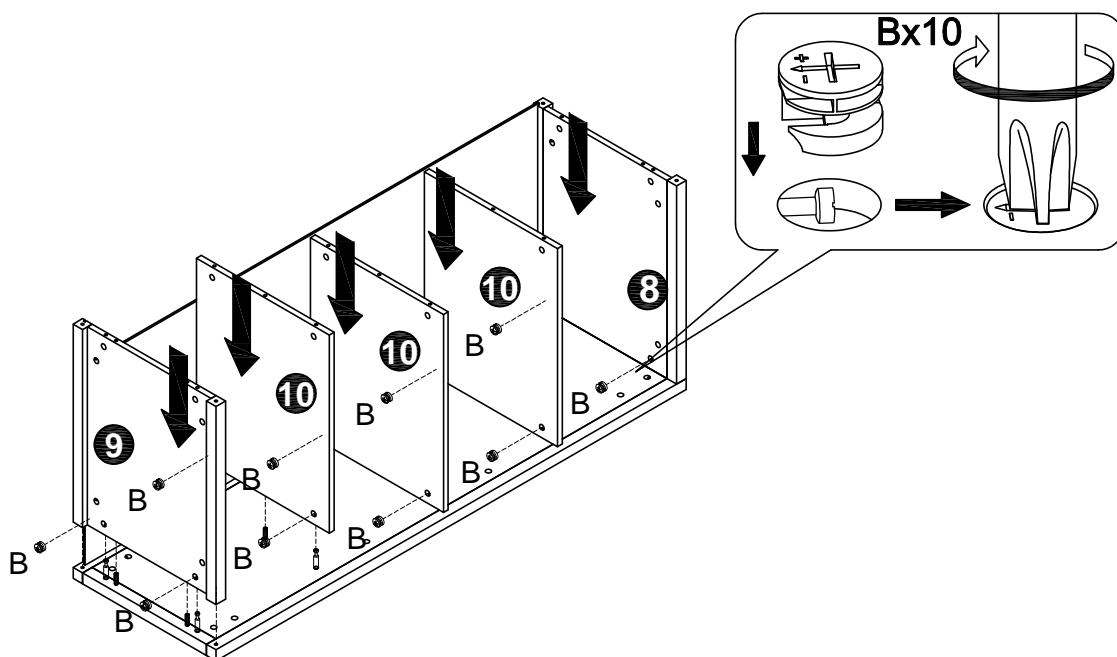


Tall wardrobe module Lia

STEP 3

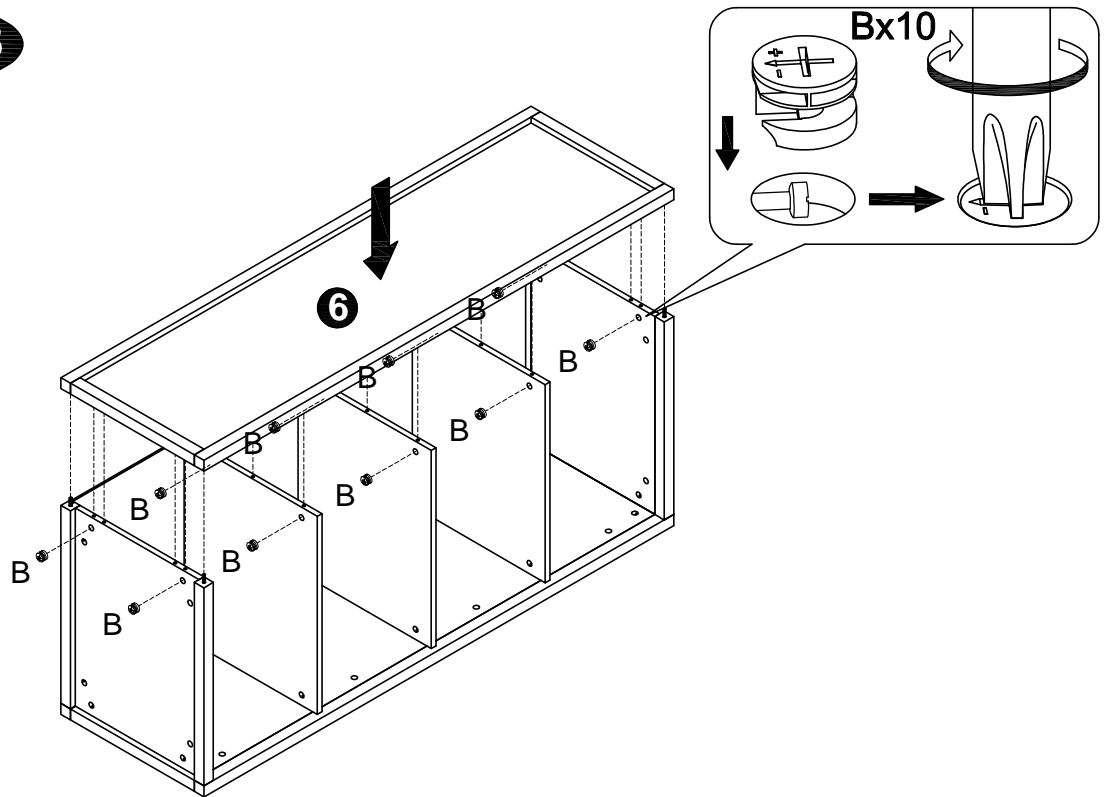


STEP 4

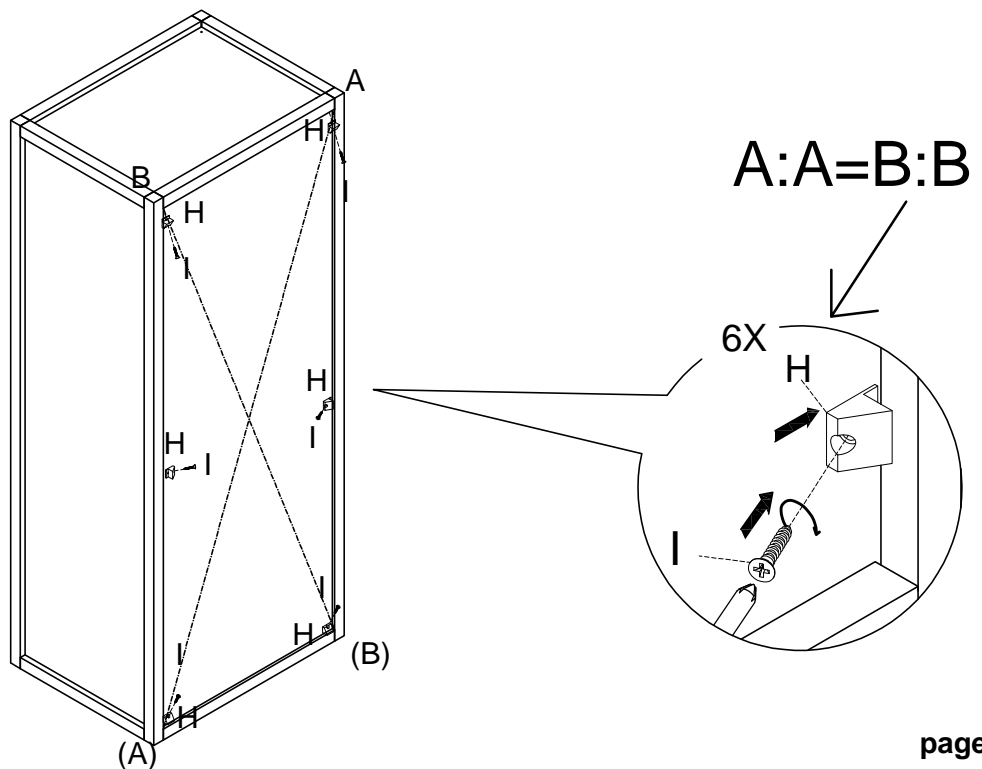


Tall wardrobe module Lia

STEP 5

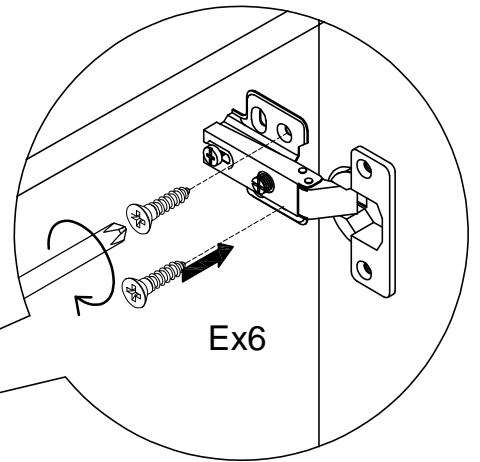
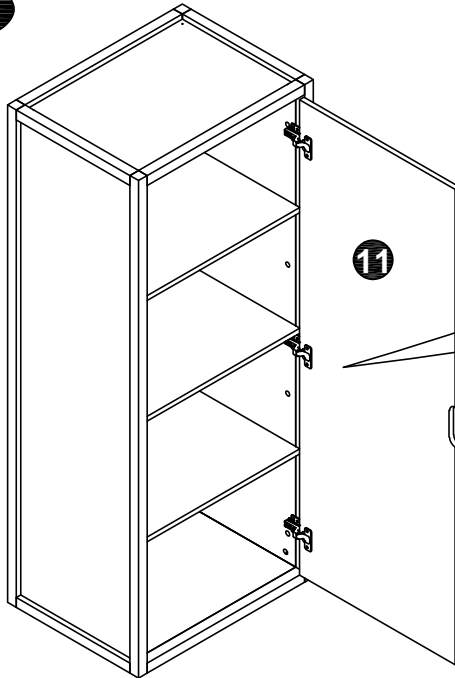


STEP 6

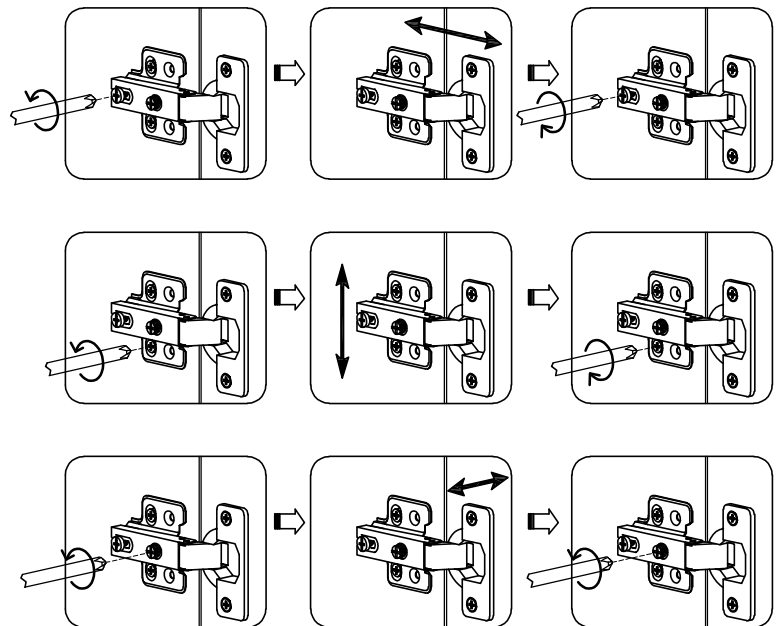
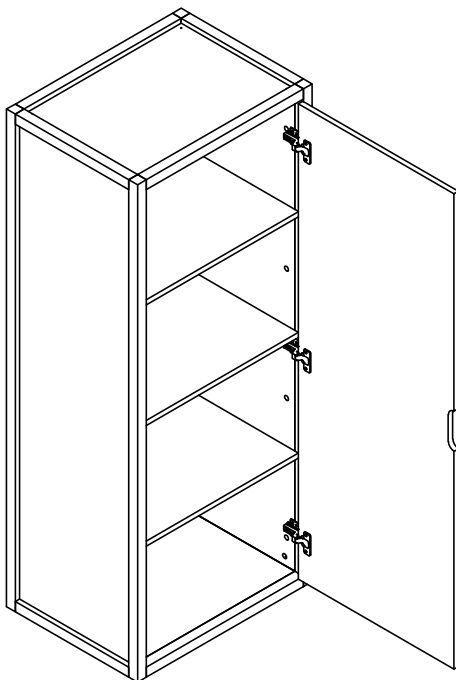


Tall wardrobe module Lia

STEP 7

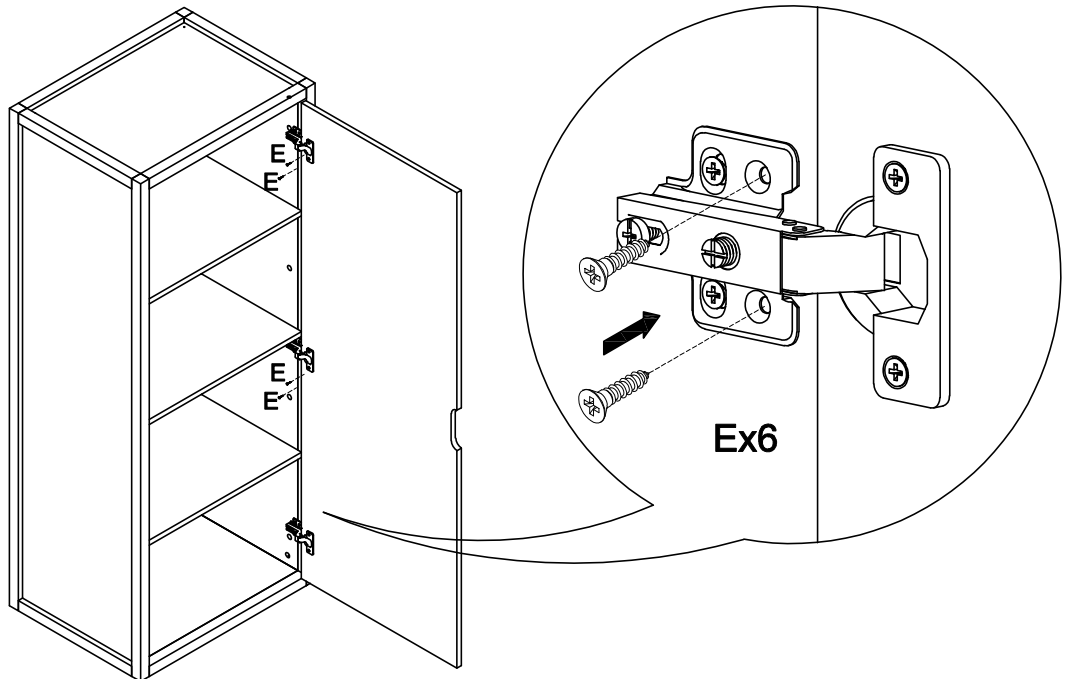


STEP 8

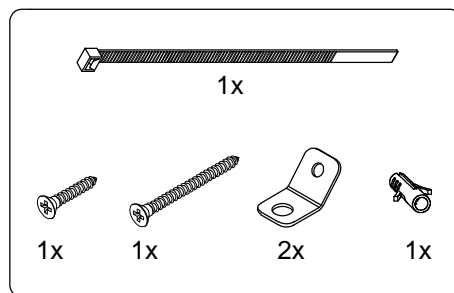
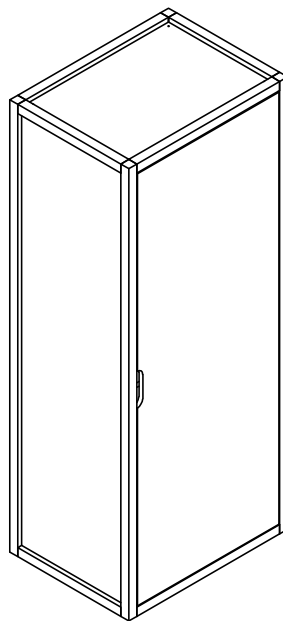


Tall wardrobe module Lia

STEP 9



STEP 10



Safety tip: Please attach the chest to the wall using the hardware provided.